

# AK-2

## Adaptor Kit To Convert To 1" NPT Pipe

### Product Features:

Adaptor kit for LCD-1CB to convert over to 1" NPT ceiling masting

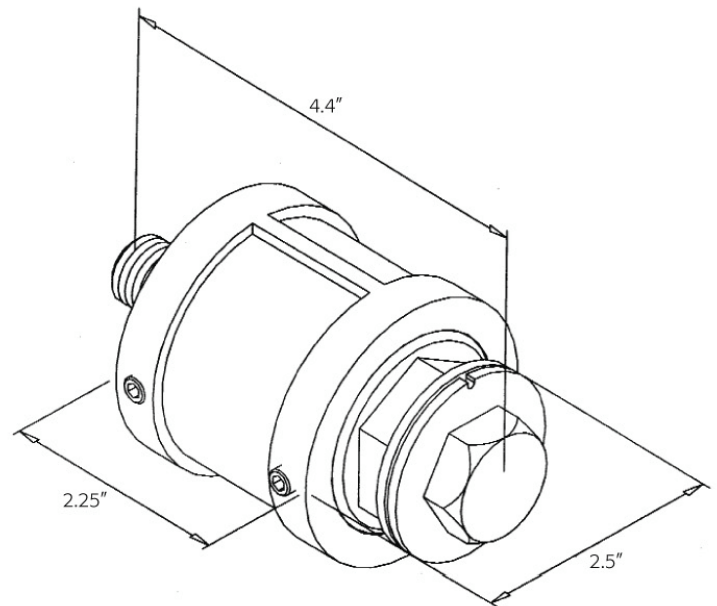
Black powder coat finish

### Product Specifications:

*(for Architects & Engineers)*

The adapter kit for model LCD-1CB mounts shall be a Video Mount Products (VMP) model AK-2.

This adapter shall allow the mount to accept standard 1" NPT plumbing pipe. The adapter will be used when the desired pipe length from the ceiling to the mount exceeds 60". Use in conjunction with the CP-2 (Ceiling Plate).



### Video Mount Products

345 Log Canoe Circle

Stevensville, MD 21666

Toll Free: 877.281.2169

Telephone: 410.643.6390

Facsimile: 410.643.6615

[www.videomount.com](http://www.videomount.com)

**VMP**  
VIDEO MOUNT PRODUCTS