

EH3010/EH3014 Enclosure

INDOOR, SMALL

Product Features

- Low Cost
- Indoor Applications
- Can be used with Fixed Mount or Pan/Tilt
- Easy Access for Service and Installation
- Upright or Inverted Applications
- For Use with Small-to-Medium Format Cameras

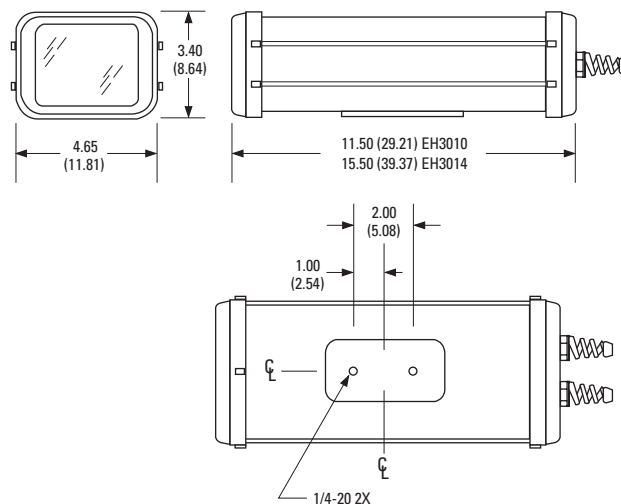


EH3010 ENCLOSURE

The **EH3010** and **EH3014** are low cost, indoor camera enclosures specifically engineered for use with small-to-medium format cameras with fixed focal length or varifocal lenses. The enclosures are attractively designed to complement any decor.

The **EH3000 Series** is engineered for ease of installation and service. The removable rear cap provides easy access to the slide-out platform on which the camera is mounted. The adjustable glands on the rear cap allow for easy installation of the power and video cables. The removable front cap allows manual lens adjustments to be made without removing the camera.

These enclosures are suitable for upright or inverted use and can be used in fixed mount applications or mounted to a light duty pan/tilt such as our PT270-24P or PT280-24P. They also can be used with our PS20 Series scanner (when used indoors).



NOTE: VALUES IN PARENTHESES ARE CENTIMETERS; ALL OTHERS ARE INCHES.



TECHNICAL SPECIFICATIONS

MODELS

EH3010	Indoor extruded aluminum enclosure, 11.50-inch (29.21 cm) length
EH3014	Indoor extruded aluminum enclosure, 15.50-inch (39.37 cm) length

MECHANICAL

Camera Mounting	Multiple holes on camera sled
Maximum Camera and Lens Size	Accepts camera and lens combinations* (including BNC connector) up to:
EH3010	2.75" H x 3.75" W x 8.00" L (6.98 x 9.53 x 20.32 cm)
EH3014	2.75" H x 3.75" W x 12.00" L (6.98 x 9.53 x 30.48 cm)
Viewing Window	0.125" (3.17 mm) thick Lucite® SAR (Super Abrasion Resistant) acrylic
Viewing Window Area	2.50" (6.35 cm) x 3.50" (8.89 cm)
Cable Entry	Two compression glands on rear cap

*Assumes lens is fully extended.

GENERAL

Construction	Extruded aluminum body; injection molded black ABS plastic end caps
Finish	Gray polyester powder coat
Environment	Indoor; 32° to 120°F (0° to 49°C)
Unit Weight	
EH3010	2.27 lb (1.03 kg)
EH3014	3.04 lb (1.38 kg)
Shipping Weight	
EH3010	4 lb (1.81 kg)
EH3014	5 lb (2.26 kg)

CERTIFICATIONS/RATINGS

- CE, Class B
- UL Listed

RECOMMENDED MOUNTS

Ceiling/Pedestal	CM4400	Light duty ceiling mount; maximum load 15 lb (6.79 kg)
	EM1009U/ EM1015U	Medium duty ceiling/pedestal mount; maximum load 40 lb (18.12 kg)
	EM3000	Ceiling J-mount; maximum load 20 lb (9.06 kg)
Wall	EM1900U	Medium duty wall mount; maximum load 40 lb (18.12 kg)
	EM2400	Light duty wall mount; maximum load 20 lb (9.06 kg)
Pipe/Pole	EM4400	Light duty wall mount; maximum load 15 lb (6.79 kg)
	EM1109	Medium duty pedestal mount for horizontal or vertical pipe or pole applications; maximum load 40 lb (18.12 kg)
	EM2000	Medium duty mount for vertical pipe or pole applications; maximum load 40 lb (18.12 kg)
	EM2200	Medium duty mount for horizontal pipe or pole applications; maximum load 40 lb (18.12 kg)

RECOMMENDED PAN/TILTS

PT270-24P	Light duty pan/tilt, 24 VAC; maximum load 15 lb (6.8 kg)
PT280-24P	Light duty pan/tilt, 24 VAC; maximum load 15 lb (6.8 kg)
PS20 Series	Medium duty scanner, 24/120 VAC; maximum load 35 lb (15.7 kg)



Pelco, Inc. Worldwide Headquarters:

3500 Pelco Way, Clovis, California 93612-5699 USA
USA & Canada Tel: (800) 289-9100 • FAX (800) 289-9150
International Tel: (559) 292-1981 • FAX (559) 348-1120
www.pelco.com

Pelco and the Pelco logo are registered trademarks of Pelco, Inc..
Lucite is a registered trademark of DuPont.
Product specifications and availability subject to change without notice.
©Copyright 2008, Pelco, Inc. All rights reserved.