

EH4700DB Series Enclosure

OUTDOOR, SMALL/MEDIUM, TOP MOUNTING, "DROP" BOTTOM

Product Features

- Indoor/Outdoor Applications
- All-Aluminum Construction
- Bottom-Opening Access Door
- Factory/Field-Installed Accessories
- Cable Entry Glands and Mounting Holes Located on Top of Enclosure
- Suitable for Mounting in Parking Garages and Under Building Eaves or Installations Where Wall Mounting Is Not Practical



EH4718DB ENCLOSURE

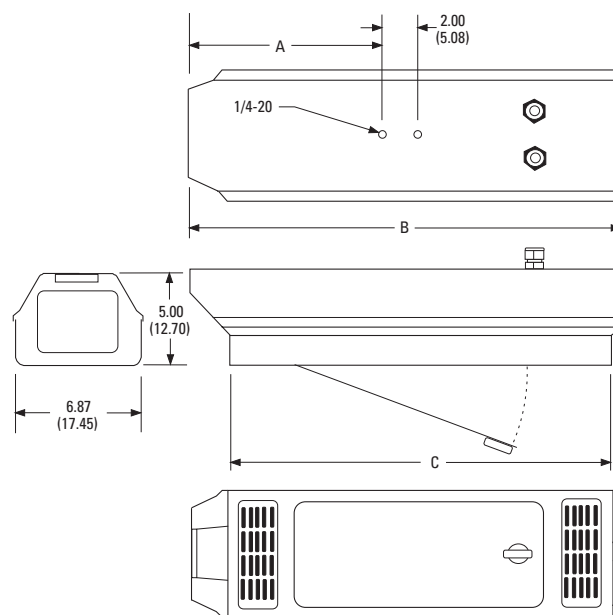
The **EH4700DB Series** are indoor/outdoor enclosures constructed from die cast and extruded aluminum. They are available in 13-inch (33.02 cm) (**EH4712DB**) or 18-inch (45.72 cm) (**EH4718DB**) lengths.

Both enclosures will accept cameras with either fixed focal length lenses or motorized zoom lenses. Models with factory-installed heater and blower feature a prewired PC board with internal electronics to simplify installation and setup of camera and enclosure accessories.

Unlike other enclosures, the **EH4700DB Series** opens from the bottom and the camera sled is attached to the top of the enclosure. Internal adjustments can be made without interfering with the video because the camera remains in its normal viewing position.

Cable entry glands and mounting holes are located on the top of the enclosure, making it ideal for ceiling applications, especially where limited accessibility is a concern.

The **EH4700DB Series** is available with factory-installed heaters and blowers. Optional field-installed accessories include a window defroster, preset positioning lens wiring harness, 120 VAC electrical outlet, and lock kit.



NOTE: EH4712DB SERIES DOES NOT HAVE VENTS IN BOTTOM OF ENCLOSURE.

| | EH4712DB | EH4718DB |
|---|--------------|--------------|
| A | 7.25 (18.42) | 9.25 (23.50) |
| B | 16.2 (41.15) | 21.2 (53.84) |
| C | 13.3 (33.78) | 18.3 (46.48) |

NOTE: VALUES IN PARENTHESES ARE CENTIMETERS; ALL OTHERS ARE INCHES.

TECHNICAL SPECIFICATIONS

MODELS

| Model Number | Basic Enclosure | 120 VAC | 24 VAC | 230 VAC | Heater | Defroster | Blower | Max. Power Consumption* |
|--------------|-----------------|---------|--------|---------|--------|-----------|--------|-------------------------|
| EH4712DB | • | | | | | | | |
| EH4712DB-1 | | • | | | • | | • | 68W |
| EH4712DB-2 | | | • | | • | | • | 58W |
| EH4712DB-3 | | | | • | • | | • | 63W |
| EH4718DB | • | | | | | | | |
| EH4718DB-1 | | • | | | • | | • | 68W |
| EH4718DB-2 | | | • | | • | | • | 58W |
| EH4718DB-3 | | | | • | • | | • | 63W |

*If optional defroster is used, add 15W to consumption.

MECHANICAL

| | |
|-------------------|---|
| Cable Entry | Two PG13.5 UL compression glands on lid; maximum cable diameter 0.47 inch (1.19 cm) |
| Cable Entry Holes | 0.875-inch (2.22 cm) diameter; will accept 0.5-inch (1.27 cm) conduit fitting when gland is removed |
| Camera Mounting | Removable camera sled |
| Access Door Latch | 1/4-turn latch with molded vinyl cap |

ELECTRICAL

| | | | |
|-----------------------|--|---------------|----------------|
| Input voltage | 24 VAC, 120 VAC, or 230 VAC, 50/60 Hz | | |
| Electrical connection | Connectors for power input, lens, camera, and accessories (-1/-2/-3 models only) | | |
| Power consumption | <u>120 VAC</u> | <u>24 VAC</u> | <u>230 VAC</u> |
| Heater | 60 watts | 50 watts | 55 watts |
| Defroster | 15 watts | 15 watts | 15 watts |
| Blower | 8 watts | 8 watts | 8 watts |

GENERAL

| | | |
|-------------------------------|---|-----------------|
| Maximum Camera and Lens Size* | (including BNC connector) | |
| EH4712DB | 12.5" L x 3.5" W x 4.0" H (31.75 x 8.89 x 10.16 cm) | |
| EH4712DB-1/-2/-3 | 8.5" L x 3.5" W x 4.0" H (21.59 x 8.89 x 10.16 cm) | |
| EH4718DB | 16.5" L x 3.5" W x 4.0" H (41.91 x 8.89 x 10.16 cm) | |
| EH4718DB-1/-2/-3 | 12.5" L x 3.5" W x 4.0" H (31.75 x 8.89 x 10.16 cm) | |
| Viewing Window | 0.25-inch (6.35 mm) thick Lexan® | |
| Viewing Window Area | 3.50" H x 4.00" W (8.89 x 10.16 cm) | |
| Construction | Die-cast, extruded, and sheet aluminum | |
| Environment | Indoor/outdoor -10° to 120°F (-23° to 49°C) | |
| Weight | <u>Unit</u> | <u>Shipping</u> |
| EH4712DB | 6.35 lb (2.90 kg) | 7 lb (3.17 kg) |
| EH4712DB-1/-2/-3 | 7.85 lb (3.56 kg) | 9 lb (4.08 kg) |
| EH4718DB | 7.25 lb (3.28 kg) | 9 lb (4.08 kg) |
| EH4718DB-1/-2/-3 | 8.75 lb (3.96 kg) | 10 lb (4.53 kg) |

*Assumes lens is fully extended.

OPTIONAL ACCESSORIES

| | | |
|-------------------------|------------|--|
| Window Defroster | WD47-1* | Window defroster and defogger prevents ice buildup or condensation of moisture on window caused by temperature and humidity, 120VAC, 15W |
| | WD47-2* | Same as WD47-1 except 24 VAC operation |
| | WD47-3* | Same as WD47-1 except 230 VAC operation |
| Other | LK4500 | Lock kit |
| | O/I-LPP | Preset positioning lens wiring harness (for use with -1/-2/-3 models only) |
| | O/I-OUTLET | 120 VAC electrical outlet (for use with -1/-2/-3 models only) |

*Window defroster not for use with basic enclosure (EH4712DB or EH4718DB).

RECOMMENDED MOUNTS

| | | |
|------------------|---------------------|--|
| Ceiling | EM1009U, EM1015U | Medium duty ceiling mount; maximum load 40 lb (18.14 kg) |
| Wall | EM1900U | Medium duty wall mount; maximum load 40 lb (18.14 kg) |
| Pipe/Pole | EM1109 | Medium duty ceiling/pedestal mount for horizontal pipe or pole applications; maximum load 40 lb (18.14kg) |
| | EM2000 | Medium duty mount for vertical pipe or pole applications; maximum load 40 lb (18.14kg) (Mount orientation is reversed when used with EH4718DB Series) |

RECOMMENDED PAN/TILT

(Inverted Operation Only)

| | |
|------------------|--|
| PT570-24P Series | Medium duty indoor/outdoor pan/tilt, 24 VAC; maximum load 40 lb (18.14 kg) |
|------------------|--|

Pelco by Schneider Electric

3500 Pelco Way, Clovis, California 93612-5699 United States

USA & Canada Tel (800) 289-9100 Fax (800) 289-9150

International Tel +1 (559) 292-1981 Fax +1 (559) 348-1120

www.pelco.com www.pelco.com/community

Pelco and the Pelco logo are registered trademarks of Pelco, Inc.
Lexan is a registered trademark of the General Electric Company.
Product specifications and availability subject to change without notice.
©Copyright 2016, Pelco, Inc. All rights reserved.