

INSTALLATION



EM22 Enclosure Mount



C227M-E (1/08)

Important Safety Instructions

Prior to installation and use of this product, the following WARNINGS should be observed.

1. Installation and servicing should be done only by qualified service personnel and conform to all local codes.
2. Installation shall be done in accordance with all local and national electrical and mechanical codes utilizing only approved materials.
3. Use only installation methods and materials capable of supporting four times the maximum specified load.
4. Use stainless steel hardware to fasten the mount to outdoor surfaces.
5. To prevent damage from water leakage when installing a mount outdoors on a roof or wall, apply sealant around the bolt holes between the mount and mounting surface.

The product and/or manual may bear the following marks:



This symbol indicates that dangerous voltage constituting a risk of electric shock is present within this unit.



This symbol indicates that there are important operating and maintenance instructions in the literature accompanying this unit.

CAUTION:
RISK OF ELECTRIC SHOCK. DO NOT OPEN.

Description

The EM22 wall mount has been engineered for use with light- to medium-weight cameras and various Pelco enclosures having a 2-inch mounting hole pattern.

The EM22 is designed to be mounted on a wall or any vertical surface and will support up to 40 lb (18 kg). The mount also features a fully adjustable swivel head allowing 360 degrees horizontal movement.

Installation

The EM22 mount is supplied with two 1/4-20 x 0.625 hex head bolts for use in attaching the enclosure/camera to the mount. The EM22 requires two fasteners to secure the mount to the mounting surface. These fasteners are not supplied (minimum 1/4-inch diameter recommended).

If installing outdoors, stainless steel hardware is recommended.

To install the mount:

1. Drill holes in the mounting surface using the mount as a template, and then attach mount securely with the required fasteners (not supplied).

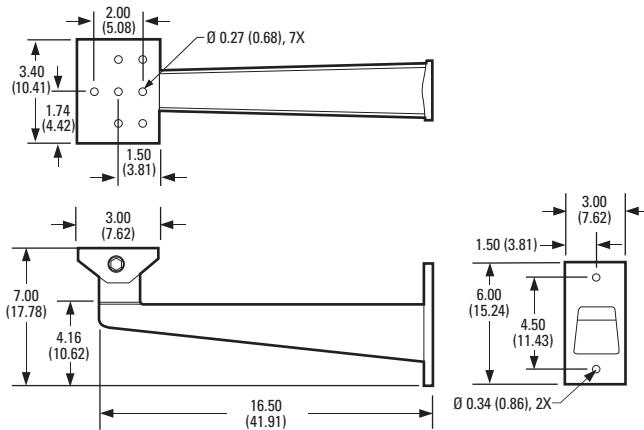


WARNING: When installing the mount outdoors, seal the bolt holes with an appropriate sealant to prevent water damage to the mounting surface. Apply the sealant around the bolt holes between the mount and the mounting surface.

2. Attach the enclosure or camera securely to the mount with the two 1/4-20 hex head screws (supplied).
3. Loosen the hex head bolts on the swivel head and adjust for pan rotation (360 degrees) and tilt angle (75 degrees up or down). Retighten the bolts to lock the swivel head into place.

Specifications

Pan Adjustment	Unlimited 360°
Tilt Adjustment	±75° (up or down)
Construction	Cast aluminum wall arm with aluminum adjustable head
Finish	Gray polyester powder coat
Locking Method	3/8-16 hex head bolts
Enclosure Mounting	2 each: 1/4-20 mounting bolts, flat washers, and split washers (supplied)
Suggested Mounting Method	Secure to solid surface with 2 fasteners (minimum 1/4-inch diameter recommended)
Maximum Load	40 lb (18 kg)
Weight	3.05 lb (1.39 kg)



NOTE: VALUES IN PARENTHESES ARE CENTIMETERS;
ALL OTHERS ARE INCHES.

(Design and product specifications subject to change without notice.)

REVISION HISTORY

Manual #	Date	Comments
C227M-D	3/99	Removed instructions for MM22 and created separate manual (C228M). Revised to new format.
C227M-E	1/08	Revised to new format. Revised mounting head hole pattern per ECO 07-17992.

Pelco, the Pelco logo, Camclosure, DigitalSENTRY, Endura, Esprit, ExSite, Genex, Intelli-M, Legacy, and Spectra are registered trademarks of Pelco, Inc. Spectra III is a trademark of Pelco, Inc. © Copyright 2008, Pelco, Inc. All rights reserved. DLP is a registered trademark of Texas Instruments Incorporated.

The materials used in the manufacture of this document and its components are compliant to the requirements of Directive 2002/95/EC.

PRODUCT WARRANTY AND RETURN INFORMATION

WARRANTY

Pelco will repair or replace, without charge, any merchandise proved defective in material or workmanship **for a period of one year** after the date of shipment.

Exceptions to this warranty are as noted below:

- Five years on fiber optic products and TW3000 Series unshielded twisted pair (UTP) transmission products.
- Three years on Spectra® IV products.
- Three years on Genex® Series products (multiplexers, server, and keyboard).
- Three years on DX Series digital video recorders, DVR5100 Series digital video recorders, DigitalSENTRY® Series hardware products, DVX Series digital video recorders, NVR300 Series network video recorders, and Endura® Series distributed network-based video products.
- Three years on Camclosure® and Pelco-branded fixed camera models, except the CC3701H-2, CC3701H-2X, CC3751H-2, CC3651H-2, and MC3651H-2X camera models, which have a five-year warranty.
- Three years on PMCL200/300/400 Series LCD monitors.
- Two years on standard motorized or fixed focal length lenses.
- Two years on Legacy®, CM6700/CM6800/CM9700 Series matrix, and DF5/DF8 Series fixed dome products.
- Two years on Spectra III™, Spectra Mini, Esprit®, ExSite®, and PS20 scanners, including when used in continuous motion applications.
- Two years on Esprit and WW5700 Series window wiper (excluding wiper blades).
- Two years (except lamp and color wheel) on Digital Light Processing (DLP®) displays. The lamp and color wheel will be covered for a period of 90 days. The air filter is not covered under warranty.
- Two years on Intelli-M® eIDC controllers.
- One year (except video heads) on video cassette recorders (VCRs). Video heads will be covered for a period of six months.
- Six months on all pan and tilts, scanners, or preset lenses used in continuous motion applications (preset scan, tour, and auto scan modes).

Pelco will warrant all replacement parts and repairs for 90 days from the date of Pelco shipment. All goods requiring warranty repair shall be sent freight prepaid to a Pelco designated location. Repairs made necessary by reason of misuse, alteration, normal wear, or accident are not covered under this warranty.

Pelco assumes no risk and shall be subject to no liability for damages or loss resulting from the specific use or application made of the Products. Pelco's liability for any claim, whether based on breach of contract, negligence, infringement of any rights of any party or product liability, relating to the Products shall not exceed the price paid by the Dealer to Pelco for such Products. In no event will Pelco be liable for any special, incidental, or consequential damages (including loss of use, loss of profit, and claims of third parties) however caused, whether by the negligence of Pelco or otherwise.

The above warranty provides the Dealer with specific legal rights. The Dealer may also have additional rights, which are subject to variation from state to state.

If a warranty repair is required, the Dealer must contact Pelco at (800) 289-9100 or (559) 292-1981 to obtain a Repair Authorization number (RA), and provide the following information:

1. Model and serial number
2. Date of shipment, P.O. number, sales order number, or Pelco invoice number
3. Details of the defect or problem

If there is a dispute regarding the warranty of a product that does not fall under the warranty conditions stated above, please include a written explanation with the product when returned.

Method of return shipment shall be the same or equal to the method by which the item was received by Pelco.

RETURNS

To expedite parts returned for repair or credit, please call Pelco at (800) 289-9100 or (559) 292-1981 to obtain an authorization number (CA number if returned for credit, and RA number if returned for repair) and designated return location.

All merchandise returned for credit may be subject to a 20 percent restocking and refurbishing charge.

Goods returned for repair or credit should be clearly identified with the assigned CA or RA number and freight should be prepaid.



Worldwide Headquarters • 3500 Pelco Way • Clovis, California 93612 USA • www.pelco.com
USA & Canada • Tel: 800/289-9100 • Fax: 800/289-9150
International • Tel: 1-559/292-1981 • Fax: 1-559/348-1120