

EM22/MM22 Mount

CEILING/PEDESTAL/WALL MOUNT, MEDIUM DUTY, ENCLOSURE

Product Features

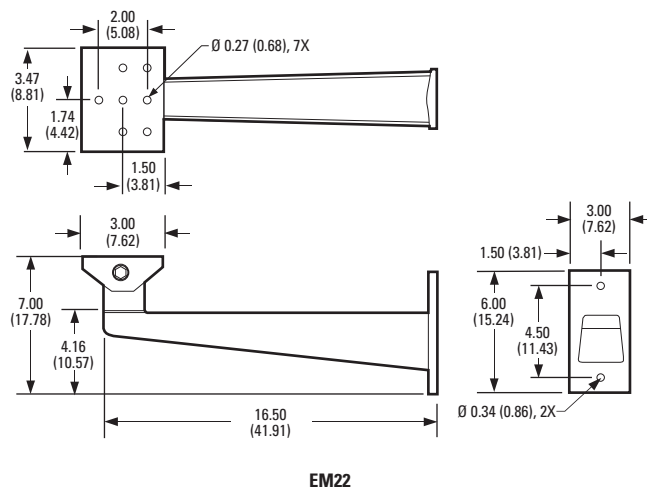
- Economical
- Indoor/Outdoor
- Supports up to 40 lb (18.14 kg)
- Sturdy Construction
- For Use with Medium Duty Enclosures
- Fully Adjustable Swivel Head
- Wall or Pedestal/Ceiling Mounting Applications
- EM22 Can Be Adapted for Pole Applications with Use of PA100 Adapter



The **EM22** and **MM22** have been designed and engineered for use with various Pelco enclosures. The **EM22** mounts to a wall or other vertical surface and features a cast-aluminum wall arm which minimizes undesired horizontal movement. The **MM22** is a pedestal/ceiling mount and can be mounted on any flat surface.

Both units feature a fully adjustable swivel head, allowing 360-degree horizontal movement. Fabricated from corrosion-resistant aluminum, each unit will support loads up to 40 lb (18.14 kg).

In addition, the **EM22** can be adapted for pole mount applications when used with the PA100 mount adapter.



NOTE: VALUES IN PARENTHESES ARE CENTIMETERS;
ALL OTHERS ARE INCHES.



TECHNICAL SPECIFICATIONS

MODELS

EM22	Medium duty wall mount for enclosures and light- to medium- weight cameras; manually adjustable swivel head
MM22	Medium duty ceiling/pedestal mount for enclosures and light- to medium-weight cameras; manually adjustable swivel head

RELATED PRODUCTS

PA100	Pole mount adapter for EM22 mount: minimum pole diameter 1.5 inches (3.8 cm); stainless steel straps supplied; strap length 28.5 inches (72.39 cm).
-------	---

MECHANICAL

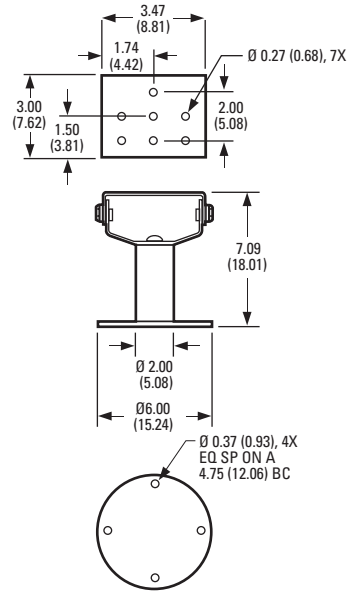
Pan Adjustment	360°
Tilt Adjustment	75°
Camera/Enclosure Mounting	2 each 1/4-20 x 5/8" mounting bolts, split washers and flat washers
Locking Method	3/8-16 hex head bolts

GENERAL

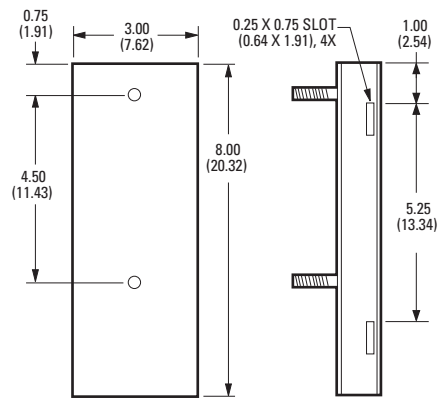
Construction	EM22	Cast-aluminum wall arm with aluminum adjustable head
	MM22	Aluminum billet with aluminum adjustable head
Finish		Gray polyester powder coat
Maximum Load		40 lb (18.14 kg)
Unit Weight	EM22	3.05 lb (1.39 kg)
	MM22	2.60 lb (1.18 kg)
	PA100	0.86 lb (0.39 kg)
Shipping Weight	EM22	4 lb (1.81 kg)
	MM22	4 lb (1.81 kg)
	PA100	2 lb (0.90 kg)

CERTIFICATIONS

- UL Listed



MM22



PA100

NOTE: VALUES IN PARENTHESES ARE CENTIMETERS; ALL OTHERS ARE INCHES.

PA100
POLE ADAPTER



Pelco, Inc. Worldwide Headquarters:
 3500 Pelco Way, Clovis, California 93612-5699 USA
USA & Canada Tel: (800) 289-9100 • FAX: (800) 289-9150
International Tel: +1 (559) 292-1981 • FAX: +1 (559) 348-1120
www.pelco.com

Pelco and the Pelco logo are registered trademarks of Pelco, Inc.
 Product specifications and availability subject to change without notice.
 ©Copyright 2008, Pelco, Inc. All rights reserved.