

HS2100 Enclosure

HIGH SECURITY, LOW PROFILE CEILING MOUNT

Product Features

- Low Profile, Small "Wedge" Style
- Designed for Use with CCD Type Cameras
- For Use in Fixed or Dropped (False) Ceilings
- Hinged Door Opens for Convenient Access to Camera
- Constructed from Aluminum (Upper Section) and Steel (Lower Section)

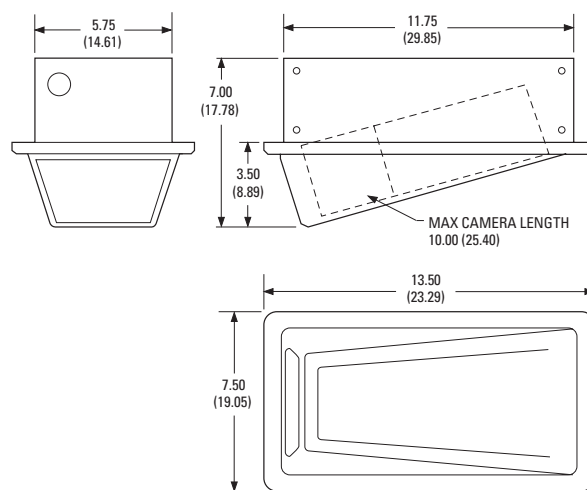


The **HS2100** is a low profile ceiling enclosure designed for use with solid-state CCD cameras. The unobtrusive, compact design compliments any business or office decor and provides maximum surveillance for fixed camera applications.

The enclosure is designed for use in fixed or dropped (false) ceilings. The upper section mounted above the ceiling is constructed from aluminum; the lower section is constructed from steel to provide maximum protection and durability.

Because of the lightweight design, the enclosure can be mounted directly on a ceiling tile without the use of an additional mounting plate. Pelco offers an optional 360-degree rotating mounting plate (**E2100**) for false ceiling applications, which allows the enclosure to be rotated in 10-degree increments to change the viewing area.

The **HS2100** is engineered for ease of installation and service. The lower section is hinged to provide convenient access for camera and lens adjustments. The adjustable camera mount allows the camera to be positioned vertically or horizontally, depending on the camera size. A tamper-resistant screw secures the enclosure cover.



NOTE: VALUES IN PARENTHESES ARE CENTIMETERS;
ALL OTHERS ARE INCHES.



TECHNICAL SPECIFICATIONS

MODEL

HS2100 Low profile, high security enclosure for use in ceiling applications

MECHANICAL

Camera Mounting Adjustable bracket capable of supporting a maximum of 10 lb (4.53 kg)

Maximum Camera and Lens Size Accepts camera and lens combinations* (including BNC connector) up to:
3.00" H x 4.00" W x 10.00" L
(7.62 x 10.16 x 25.40 cm)

Viewing Window Area 4.00" W x 2.25" H (10.16 x 5.72 cm)

Ceiling Mounting Upper section flange-mounted to fixed ceiling or ceiling tile. Ceiling support rails provided.

Cable Entry Two conduit knockouts on upper back box

Lock Tamper-resistant screw (tool supplied for removing screw)

*Assumes lens is fully extended.

GENERAL

Construction
Upper section Aluminum
Lower section 0.074-inch (1.88 mm) thick, seam-welded 14-gauge steel

Viewing Window 0.25-inch (6.35 mm) thick, Lexan®

Color
Upper section Alodine
Lower section White polyester powder coat

Environment Indoor; 32° to 120°F (0° to 49°C)

Unit Weight
HS2100 5.30 lb (2.41 kg)
E2100 3.66 lb (1.66 kg)

Shipping Weight
HS2100 7 lb (3.17 kg)
E2100 6 lb (2.71 kg)

CERTIFICATIONS/RATINGS

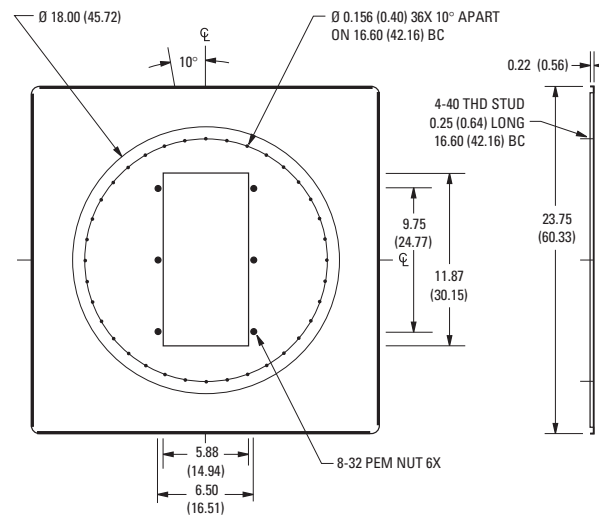
- Meets NEMA Type 1 standards

OPTIONAL ACCESSORIES

E2100 360° rotating mounting plate; rotates in 10° increments and features "locking" capability to secure enclosure positioning. Replaces 2 ft x 2 ft (61 cm x 61 cm) ceiling tile; can be used in 2 ft x 4 ft (61 cm x 122 cm) ceiling tile with additional T-rail for support. Constructed of aluminum with textured white polyester powder coat finish.



E2100 MOUNTING PLATE



NOTE: VALUES IN PARENTHESES ARE CENTIMETERS; ALL OTHERS ARE INCHES.



Pelco, Inc. Worldwide Headquarters:
3500 Pelco Way, Clovis, California 93612-5699 USA
USA & Canada Tel: (800) 289-9100 • FAX: (800) 289-9150
International Tel: +1 (559) 292-1981 • FAX: +1 (559) 348-1120
www.pelco.com

Pelco and the Pelco logo are registered trademarks of Pelco, Inc.
Lexan® is a registered trademark of the General Electric Company.
Product specifications and availability subject to change without notice.
©Copyright 2002, Pelco, Inc. All rights reserved.