

High Quality Mini Bullet 3X Digital Zoom Camera



KPC-HD230CB



KPC-HD230CP1



KPC-HD230CP4



General Features

- Sony 1/3" Super HAD Color CCD
- 520TVL Horizontal Resolution
- Min. Illumination of 1.0Lux / F2.0
- 3X Digital Zoom
- A/D Key Remote Control
- Automatic Gain Control (AGC)
- Auto Tracking White Balance (ATW)
- Auto Backlight Compensation (BLC)
- Ultra Compact Size of 0.90" (Ø) Dimension

3X Digital Zoom

Built-in program 3x digital zoom function is characteristic point of chipset. User can zoom in on short distance objects with wide are surveillance applications



1X Zoom



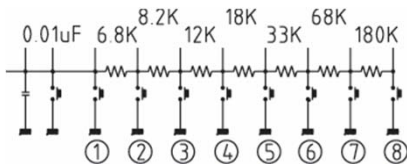
2X Zoom



3X Zoom

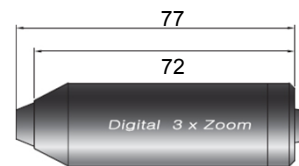
Optional Accessory

- A/D Key Remote with 1M or 35M Cable
- Sold Separately

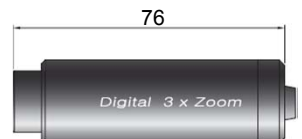


A/D KEY	FUNCTION
1	NEG/POS
2	TELE
3	WIDE
4	AUTO PAN

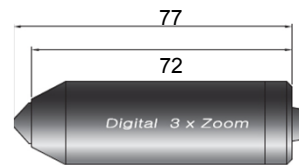
A/D KEY	FUNCTION
5	AUTO TILT
6	BRIGHT UP
7	BRIGHT DOWN
8	DAY&NIGHT



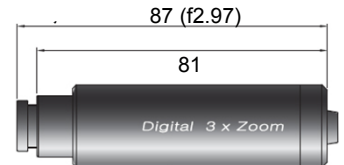
KPC-HD230CP1



KPC-HD230CP3



KPC-HD230CP4



KPC-HD230CB

Lens Types



B Lens

P1 Lens

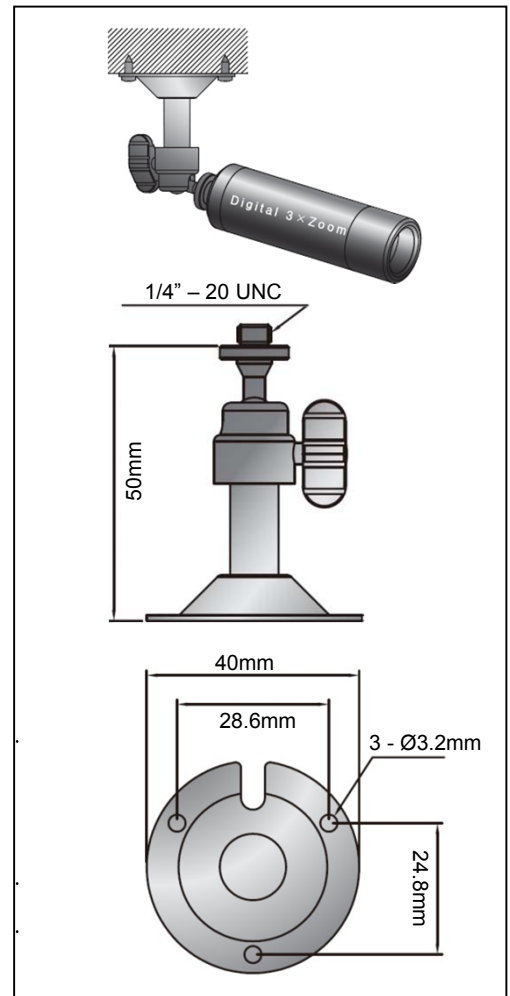
P4 Lens

* Specifications & Features are subject to change without prior notice.

Technical Specification

Model	KPC-HD230C
Scanning System	2:1 Interlace
Scanning Frequency	15.734 KHz (H), 59.94 Hz (V)
Image Sensor	1/3" Sony Super HAD CCD
Total Pixels	811(H) x 508(V) / 410K
Effective Pixels	768(H) x 494(V) / 380K
Synchronization	Internal
Horizontal Resolution	520 TV Lines
Luminance S/N	More than 50dB (AGC Off)
Min. Illumination	1.0Lux / F2.0
Shutter Speed	1/60 ~ 1/100,000sec
Digital Zoom Ratio	3X
Protocol	Pelco-D
External Control	A/D Key
Day and Night	Digital Day & Night
IP Rating	N/A
Gamma	r = 0.45
Video Output Level	1Vp-p Composite (75Ω)
Operating Temperature / Humidity	-10°C ~ 50°C (14°F ~ 122°F) / Less than 80%
Storage Temperature / Humidity	-20°C ~ 60°C (-4°F ~ 140°F) / Less than 90%
Power Supply	Standard : DC12V ±10% (Max 160mA)
	RS-485 : DC12V ±10% (Max 130mA)

Mounting Position



Lens Option

Lens (mm)	Type	Board Lens (B)					Pinhole Lens		
		(P1)	(P3)	(P4)	(P1)	(P3)	(P4)		
	Focal Length	2.97	3.6	6	8	12	3.7	3.7	4.3
	Aperture	F2.0	F2.0	F2.0	F2.0	F2.2	F2.0	F2.0	F2.0
	Angle of View	130°	92°	53°	40°	28°	90°	90°	78°

* Specifications & Features are subject to change without prior notice.

Last updated 2/20/2012