

# High Quality Mini Bullet 3X Digital Zoom Camera



- Sony 1/3" Super HAD Color CCD
- 520TVL Horizontal Resolution
- Water-Proof (IP67 Rating)
- Min. Illumination of 1.0Lux / F2.0
- 3X Digital Zoom
- RS-485 Remote Control
- Automatic Gain Control (AGC)
- Auto Tracking White Balance (ATW)
- Auto Backlight Compensation (BLC)
- Ultra Compact Size of 0.90"(Ø) Dimension



## Technical Specification

Model	KPC-HD230CWX
Scanning System	2:1 Interlace
Scanning Frequency	15.734 KHz (H), 59.94 Hz (V)
Image Sensor	1/3" Sony Super HAD CCD
Total Pixels	811(H) x 508(V) / 410K
Effective Pixels	768(H) x 494(V) / 380K
Synchronization	Internal
Horizontal Resolution	520 TV Lines
Luminance S/N	More than 50dB (AGC Off)
Min. Illumination	1.0Lux / F2.0
Shutter Speed	1/60 ~ 1/100,000sec
Digital Zoom Ratio	3X
Protocol	Pelco-D
External Control	A/D Key, RS-485 Controller
Day and Night	Digital Day & Night
IP Rating	IP67
Gamma	r = 0.45
Video Output Level	1Vp-p Composite (75Ω)
Operating Temp. / Humidity	-10°C ~ 50°C (14°F ~ 122°F) / Less than 80%
Storage Temp. / Humidity	-20°C ~ 60°C (-4°F ~ 140°F) / Less than 90%
Power Supply	Standard : DC 12V ±10% (Max 160mA)
	RS-485 : DC 12V ±10% (Max 130mA)

### 3X Digital Zoom

Built-in program 3x digital zoom function is characteristic point of chipset. User can zoom in on short distance objects with wide area surveillance applications



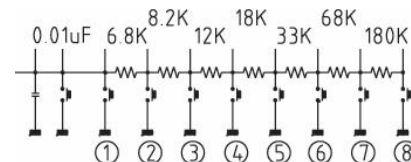
1X Zoom

2X Zoom

3X Zoom

### Optional Accessory

- A/D Key Remote with 1M or 35M Cable
- Sold Separately



A/D KEY	FUNCTION
1	NEG/POS
2	TELE
3	WIDE
4	AUTO PAN

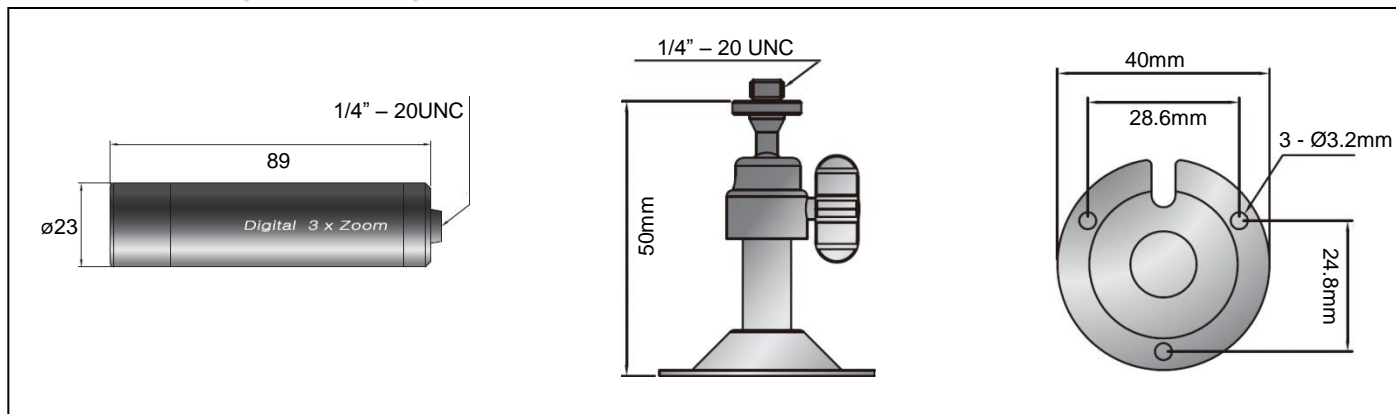
A/D KEY	FUNCTION
5	AUTO TILT
6	BRIGHT UP
7	BRIGHT DOWN
8	DAY&NIGHT

\* Specifications & Features are subject to change without prior notice.

## Lens Option

Lens (mm)	Type	Board Lens (B)				
		Focal Length	2.97	3.6	6	8
	Aperture	F2.0	F2.0	F2.0	F2.0	F2.2
	Angle of View	130°	92°	53°	40°	28°

## Dimensions (Unit: mm)



\* Specifications & Features are subject to change without prior notice.