

High Quality Mini 3X Digital Zoom Color Camera



KPC-HD38CZB



KPC-HD38CZP1



KPC-HD38CZP3



KPC-HD38ZP4



KPC-HD38CZV



KPC-HD38CZV1



KPC-HD38CZCM



General Features

- Sony 1/3" Super HAD Color CCD
- 520TVL Horizontal Resolution
- Min. illumination of 1.0Lux/F2.0
- 3X Digital Zoom
- RS-485 Remote Control
- Automatic Gain Control (AGC)
- Automatic Tracking White Balance (ATW)
- Automatic Back Light Compensation (BLC)
- Compact Size of 1.50"(W) x 1.50"(H)

3X Digital Zoom

Built-in program 3x digital zoom function is characteristic point of chipset. User can zoom in on short distance objects with wide are surveillance applications



1X Zoom



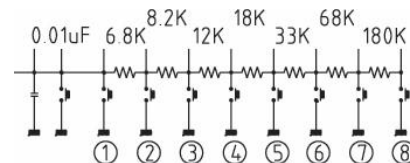
2X Zoom



3X Zoom

Optional Accessory

- A/D Key Remote with 1M or 35M Cable
- Easy Remote Access to Setup Functions
- Sold Separately

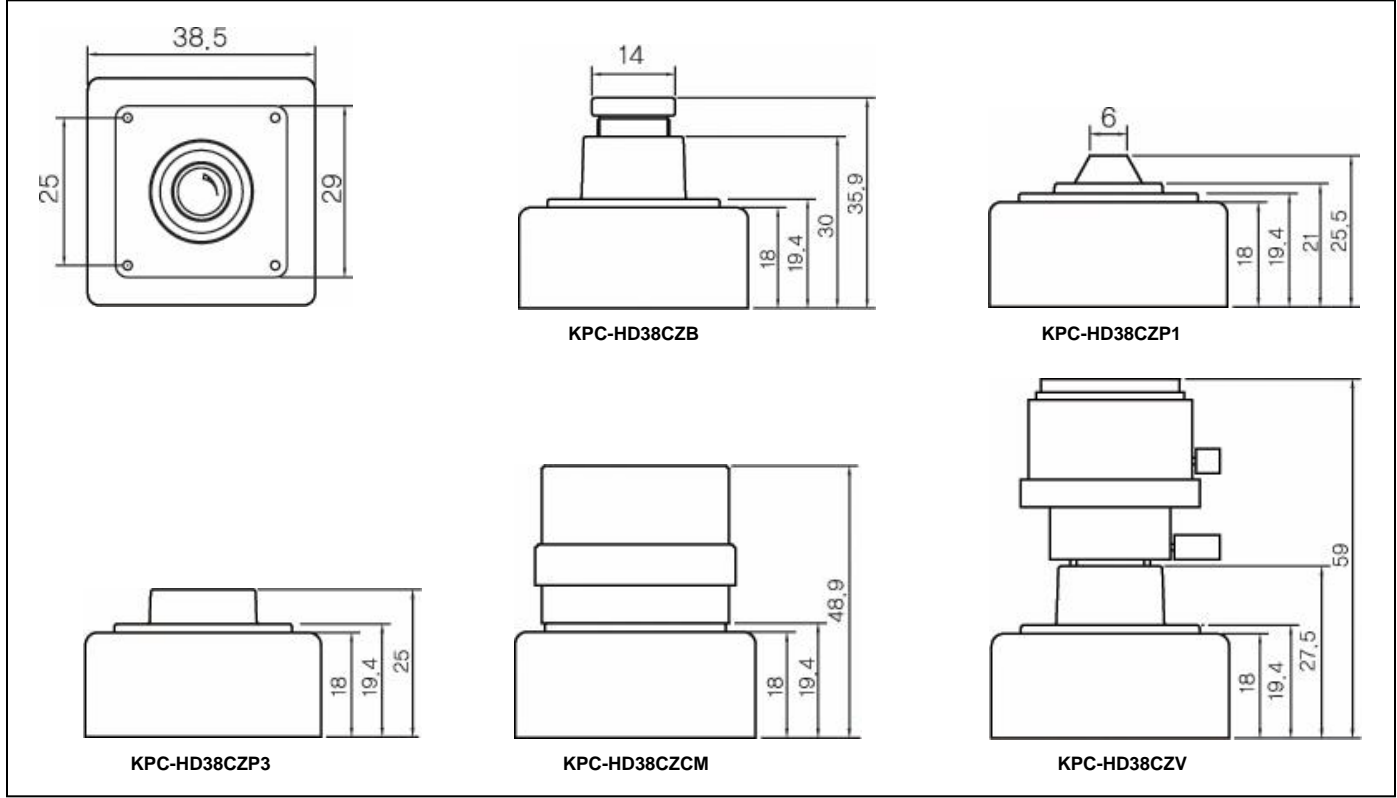


A/D KEY	FUNCTION
①	NEG / POS
②	TELE
③	WIDE
④	AUTO PAN
⑤	AUTO TILT
⑥	BRIGHT UP
⑦	BRIGHT DOWN
⑧	DAY AND NIGHT

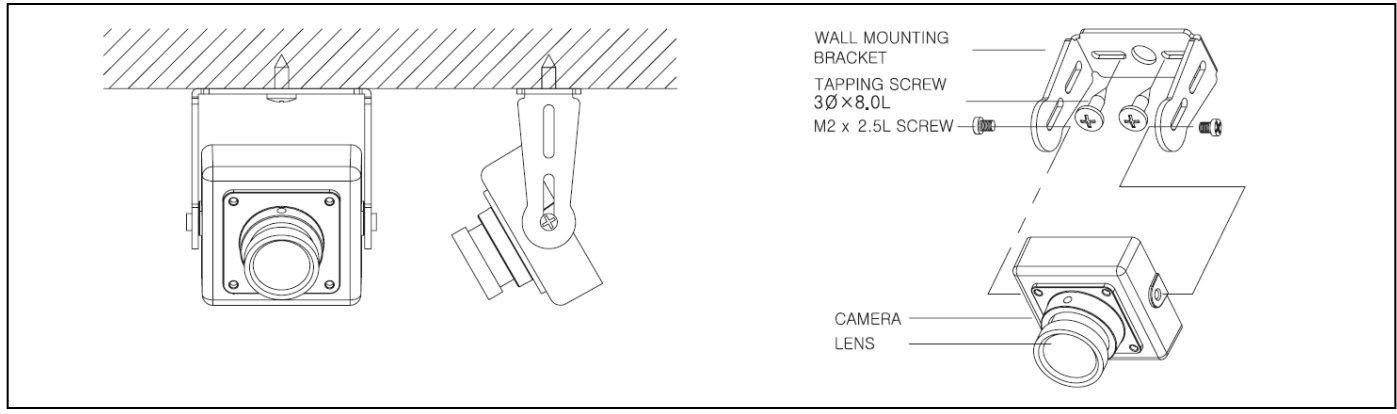
* Specifications & Features are subject to change without prior notice.

The software version of a remote controller is also available. Call us for more information.

Dimensions (Unit: mm)



Mounting Position



* Specifications & Features are subject to change without prior notice.

Technical Specification

Model	KPC-HD38CZ	KPC-HD38ZA
Signal System	NTSC	PAL
Scanning System	2:1 Interlace	
Scanning Frequency (H)	15.734 KHz	15.625 KHz
Scanning Frequency (V)	59.94 Hz	50 Hz
Image Sensor	1/3" Sony Super HAD CCD	
Total Pixels	811(H) x 508(V) / 410K	795(H) x 596(V) / 470K
Effective Pixels	768(H) x 494(V) / 380K	752(H) x 582(V) / 440K
Synchronization	Internal	
Horizontal Resolution	520 TV Lines	
Luminance S/N	More than 50dB (AGC Off)	
Min. Illumination	1.0Lux / F2.0	
Shutter Speed	1/60 ~ 1/100,000sec	1/50 ~ 100,000sec
Digital Zoom Ratio	3X	
Protocol	Pelco - D	
External Control	A/D Key, RS-485 Controller	
Day and Night	Digital Day&Night	
Gamma	r = 0.45	
Video Output Level	1Vp-p Composite (75Ω)	
Operating Temperature / Humidity	-10 °C ~ 50 °C (14 °F ~ 122 °F) / Less than 80%	
Storage Temperature / Humidity	-20 °C ~ 60 °C (-4 °F ~ 140 °F) / Less than 90%	
Power Supply	DC 12V ±10% (Max 180mA)	
Dimensions	38.5mm(W) x 38.5mm(H) x 30mm(D)(1.52" x 1.52" x 1.18")	

Lens Option

Lens (mm)	Type	Board Lens (B)							Pinhole Lens			Vari-focal Lens / Fixed Iris (V)
		(P1)	(P3)	(P4)	(B1)	(B2)	(B3)	(B4)	(B5)	(B6)	(B7)	
	Focal Length	2.45	2.97	3.6	6	8	12	16	3.7	3.7	4.3	4.0-8.0
	Aperture	F2.0	F2.0	F2.0	F2.0	F2.0	F2.0	F2.2	F2.0	F2.0	F2.0	F2.0-360
	Angle of View	150°	130°	92°	53°	40°	28°	19°	90°	90°	78°	89.2° - 44.2°

* Specifications & Features are subject to change without prior notice.