



KPC-S400B



KPC-S400P1



KPC-S400P3



KPC-S400P4



KPC-S400V

Super Mini Square B/W CCD Camera

- Sony 1/3" Super HAD B/W CCD
- 420TVL Horizontal Resolution
- Noise, Ghost & Blooming Free
- Automatic Gain Control (AGC)
- Automatic Backlight Compensation (BLC)
- Built-in Reverse Power Input Safety Circuit
- Super Compact size of 1.18"(W) X 1.18"(H)

Technical Specification

Image Device	SONY 1/3" SUPER HAD B/W CCD
Scanning System	2 : 1 Interlace
Scanning Frequency	H : 15.734 (KHz), V : 60 (Hz)
Total Pixels	537(H) x 505(V)
Effective Pixels	510(H) x 492(V)
Horizontal Resolution	420 TV Lines
Electronic Shutter	1/60 ~ 1/100,000sec auto
S/N Ratio	More than 50dB (AGC Off)
White Balance	Automatic (Only Color CCD)
Sensitivity	0.05 Lux / F 2.0
Gamma Correction	$\lambda = 0.45$
Sync System	Internal
Video Output	Composite 1 [Vp-p] 75(Ω) unbalanced
Power Supply	DC12V ($\pm 10\%$) Max 120mA
Operating Temperature	-10°C ~ +50°C
Storage Temperature	-20°C ~ +60°C
Operating Humidity	10% ~ 80%



Lens Types



Board Lens



P1 Lens



P3 Lens



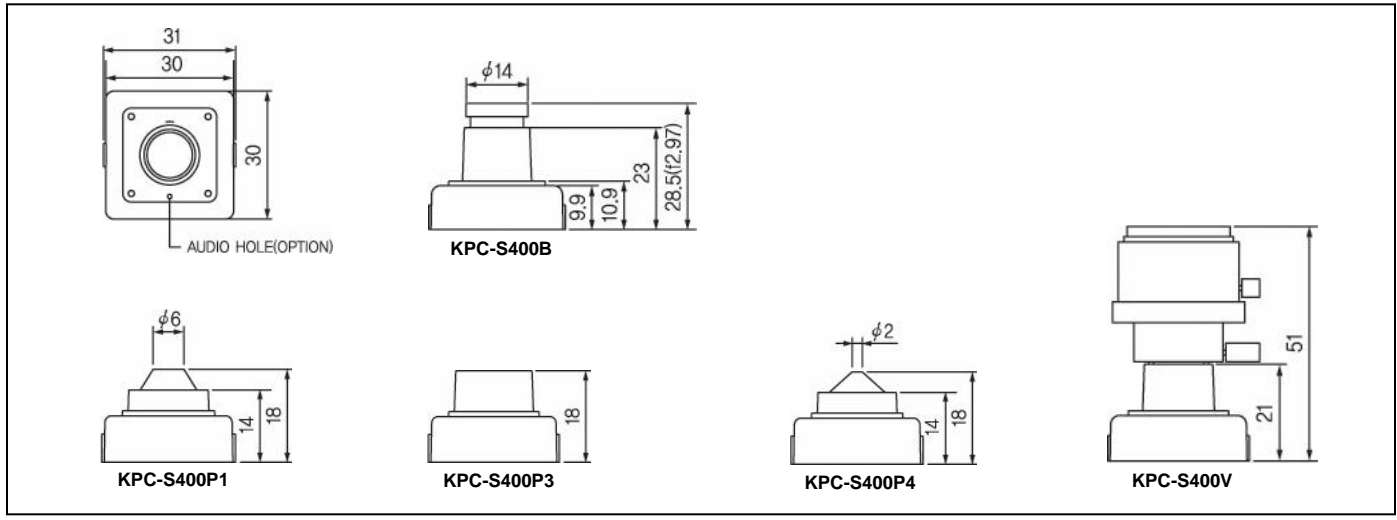
P4 Lens

Lens Option

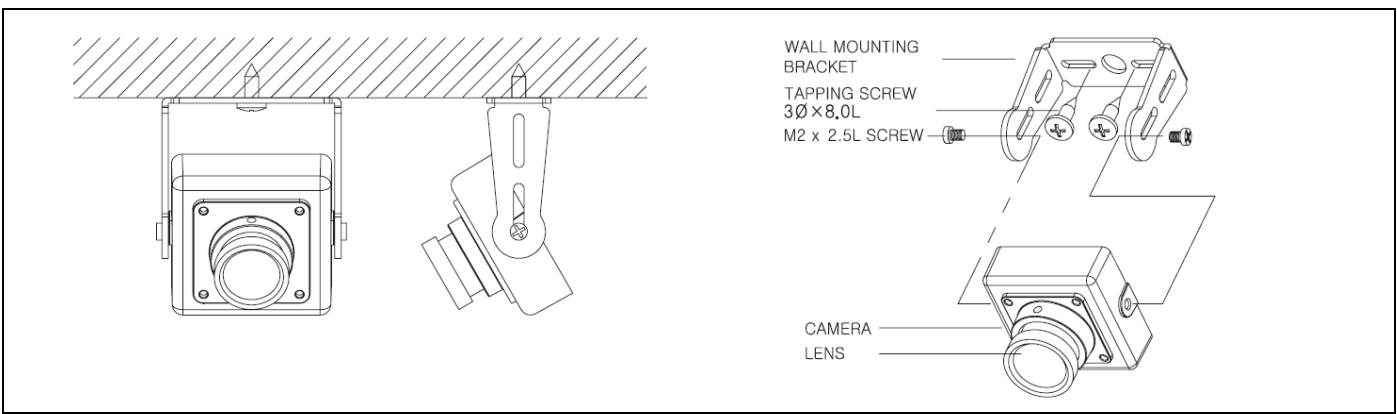
Lens (mm)	Type	Board Lens (B)							Pinhole Lens		
		(P1)	(P3)	(P4)	(P1)	(P3)	(P4)				
Focal Length		2.45	2.97	3.6	6	8	12	16	3.7	3.7	4.3
Aperture		F2.0	F2.0	F2.0	F2.0	F2.0	F2.0	F2.2	F2.0	F2.0	F2.0
Angle of View		150°	130°	92°	53°	40°	28°	19°	90°	90°	78°

* Specifications & Features are subject to change without prior notice.

Dimensions (Unit: mm)



Mounting Position



* Specifications & Features are subject to change without prior notice.