

[www.GESecurity.com](http://www.GESecurity.com)

## **KTD-83**

Data Signal Distributor

### **Overview**

The KTD-83 is a data signal distributor designed for use in a Digiplex® system. It is used when an RS422 control signal must be dispersed along separate lines of two-conductor, twisted-pair cable. One signal input can be distributed among up to six outputs. The KTD-83 can also be used to reamplify RS422 control signals that must travel excessive distances between the controller and receiver.

### **Outstanding Features**

Cable connections are made on a removable, 14-position terminal strip. It is powered from a 12 VDC source. The KTD-83 is constructed of aluminum. It features a black anodized finish.



### **Standard Features**

- **Distributes an RS422 control signal**
- **1 input x 6 outputs**
- **Reamplifies signal on outputs 2 through 6**
- **Powered from a 12 VDC source**
- **Removable terminal strip for cable connections**
- **Compact design**



# KTD-83

Data Signal Distributor

## Specifications

### Electrical

- Input voltage: 12 VDC
- Input power: 6 VA
- Input data signal: RS422
- Output 1: RS422 (Not amplified)
- Outputs 2 to 6: RS422 (Amplified to original level)

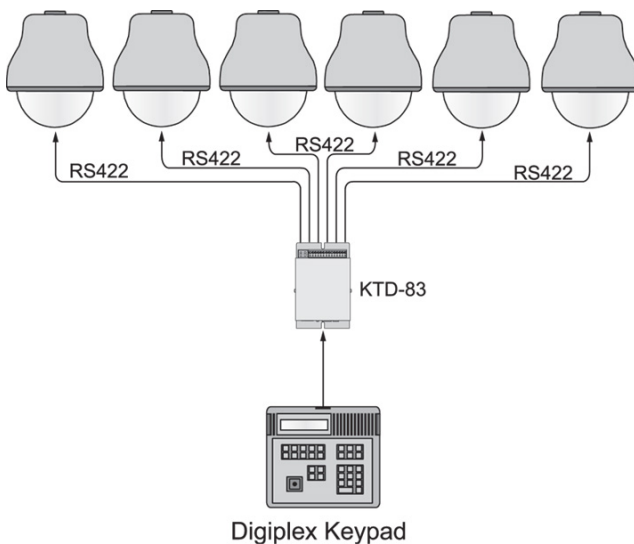
### Connections

- 14-position removable terminal strip

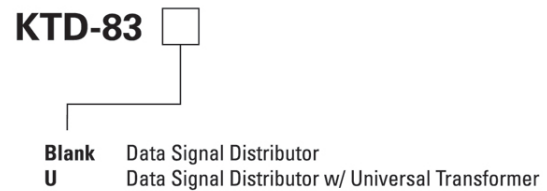
### Mechanical

- Weight: 8 oz (227 g)
- Material: 0.050 in (1.27 mm) aluminum
- Finish: Black anodized

## Related Diagram



## Ordering Information



GE Security

Mailing Address  
4575 Research Way, STE 250  
Corvallis, OR 97333 USA  
www.GESecurity.com

Americas  
800-469-1676 (US only)  
tel 541-754-9133  
fax 541-754-7162

Asia  
tel 852-2907-8108  
fax 852-2142-5063  
Australia  
tel 61-3-9259-4700  
fax 61-3-9259-4799

Europe  
tel 32-2-725-11-20  
fax 32-2-721-86-13  
Latin America  
tel 305-267-4301  
fax 305-267-4300

www.GESecurity.com