



3500 Pelco Way,  
Clovis, CA 93612-5699  
USA

In North America & Canada:  
Tel (800) 289-9100  
FAX (800) 289-9150

International Customers:  
Tel +1 (559) 292-1981  
FAX +1 (559) 348-1120

[www.pelco.com](http://www.pelco.com)

**NOTE:** Because wall surfaces differ, the necessary hardware for mounting the unit to the wall has not been supplied.

**CAUTION:** Use only appropriate and securely-fastened mounting bolts for mounting the unit to a wall. The combined weight of the LB1000/LB1012/LB1000DC lock box, LB1000MT, and an average VCR can easily exceed 60 pounds (27.18 kg).

When properly installed, the LB1000MT provides a 16-inch spread to the mounting hole pattern, allowing for the brackets to be securely mounted to standard wall studs.

## C292M-A (3/00) LB1000MT Wall Mount for LB1000/LB1012/LB1000DC VCR Lock Box

### DESCRIPTION

This manual covers the installation of the LB1000MT mounting brackets necessary for wall mounting the LB1000/LB1012/LB1000DC VCR Lock Box.

Please make sure your LB1000MT kit contains the following parts:

- 1 LBMT104001COMP – Right-side wall mount bracket
- 1 LBMT104002COMP – Left-side wall mount bracket
- 4 ZH1/420X.375SPP – Screws for securing mount to lock box
- 4 ZH1/4LWSIS – Internal lock washers

### INSTALLATION

The LB1000MT kit is designed for wall mounting the LB1000/LB1012/LB1000DC horizontal VCR lock box. All necessary hardware for mounting the support brackets to the lock box has been provided.

To install the LB1000MT mounting brackets, perform the following steps:

1. For adequate room and ease of handling, remove the VCR unit from the VCR lock box before installing the mounting brackets to the lock box.
2. Remove the rubber feet from the bottom of the lock box – notice the set of mounting holes located next to the rubber feet holes in the bottom of the lock box. This inside set of holes will be used in installing the mounting brackets.
3. Line up the PEM nuts in the LB1000MT wall bracket with the holes in the bottom of the lock box. Install as shown in Figure 1, using the provided screws and lock washers to securely install the lock box to the mounting brackets.
4. Make sure the bracket has been securely installed.
5. Mount the combined lock box and mounting bracket unit to the wall surface. (See note.)
6. Make sure the wall mount is secure. Mount the VCR into the lock box and make all necessary connections.

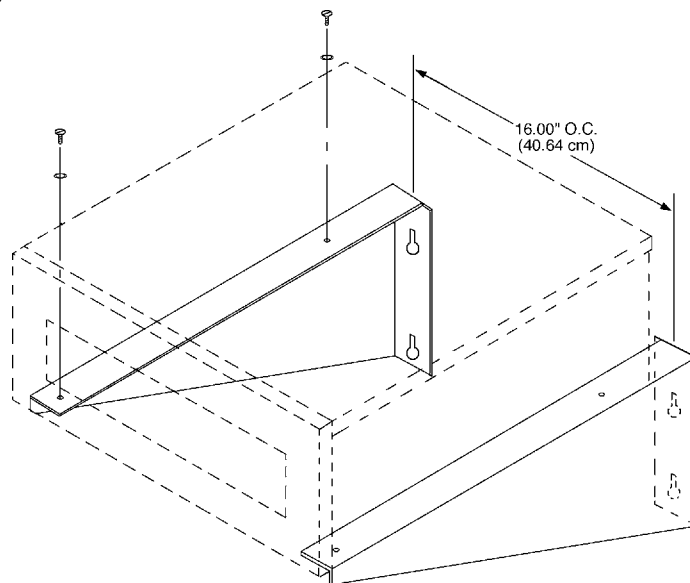


Figure 1. LB1000MT Wall Mount Installation

## WARRANTY AND RETURN INFORMATION

### WARRANTY

Pelco will repair or replace, without charge, any merchandise proved defective in material or workmanship for a period of one year after the date of shipment.  
Exceptions to this warranty are as noted below:

- Five years on FT/FR8000 Series fiber optic products.
- Three years on Genex® Series products (multiplexers, server, and keyboard).
- Three years on Camclosure® and fixed camera models, except the CC3701H-2, CC3701H-2X, CC3751H-2, CC3651H-2X, MC3651H-2, and MC3651H-2X camera models, which have a five-year warranty.
- Two years on standard motorized or fixed focal length lenses.
- Two years on Legacy®, CM6700/CM6800/CM9700 Series matrix, and DF5/DF8 Series fixed dome products.
- Two years on Spectra®, Esprit®, ExSite™, and PS20 scanners, including when used in continuous motion applications.
- Two years on Esprit® and WW5700 Series window wiper (excluding wiper blades).
- Eighteen months on DX Series digital video recorders, NVR300 Series network video recorders, and Endura™ Series distributed network-based video products. months on DX Series digital video recorders, NVR300 Series network video recorders, Endura™ Series distributed network-based video products, and TW3000 Series twisted pair transmission products.
- One year (except video heads) on video cassette recorders (VCRs). Video heads will be covered for a period of six months.
- Six months on all pan and tilts, scanners or preset lenses used in continuous motion applications (that is, preset scan, tour and auto scan modes).

Pelco will warrant all replacement parts and repairs for 90 days from the date of Pelco shipment. All goods requiring warranty repair shall be sent freight prepaid to Pelco, Clovis, California. Repairs made necessary by reason of misuse, alteration, normal wear, or accident are not covered under this warranty.

Pelco assumes no risk and shall be subject to no liability for damages or loss resulting from the specific use or application made of the Products. Pelco's liability for any claim, whether based on breach of contract, negligence, infringement of any rights of any party or product liability, relating to the Products shall not exceed the price paid by the Dealer to Pelco for such Products. In no event will Pelco be liable for any special, incidental or consequential damages (including loss of use, loss of profit and claims of third parties) however caused, whether by the negligence of Pelco or otherwise.

The above warranty provides the Dealer with specific legal rights. The Dealer may also have additional rights, which are subject to variation from state to state.

If a warranty repair is required, the Dealer must contact Pelco at (800) 289-9100 or (559) 292-1981 to obtain a Repair Authorization number (RA), and provide the following information:

1. Model and serial number
2. Date of shipment, P.O. number, Sales Order number, or Pelco invoice number
3. Details of the defect or problem

If there is a dispute regarding the warranty of a product which does not fall under the warranty conditions stated above, please include a written explanation with the product when returned.

Method of return shipment shall be the same or equal to the method by which the item was received by Pelco.

### RETURNS

In order to expedite parts returned to the factory for repair or credit, please call the factory at (800) 289-9100 or (559) 292-1981 to obtain an authorization number (CA number if returned for credit, and RA number if returned for repair).

All merchandise returned for credit may be subject to a 20% restocking and refurbishing charge.

Goods returned for repair or credit should be clearly identified with the assigned CA or RA number and freight should be prepaid. Ship to the appropriate address below.

If you are located within the continental U.S., Alaska, Hawaii or Puerto Rico, send goods to:

Service Department  
Pelco  
3500 Pelco Way  
Clovis, CA 93612-5699

If you are located outside the continental U.S., Alaska, Hawaii or Puerto Rico and are instructed to return goods to the USA, you may do one of the following:

If the goods are to be sent by a COURIER SERVICE, send the goods to:

Pelco  
3500 Pelco Way  
Clovis, CA 93612-5699 USA

If the goods are to be sent by a FREIGHT FORWARDER, send the goods to:

Pelco c/o Expeditors  
473 Eccles Avenue  
South San Francisco, CA 94080 USA  
Phone: 650-737-1700  
Fax: 650-737-0933

## REVISION HISTORY

Manual #	Date	Comments
C292M-A	3/00	Revised format.