



**C283M-C (4/07)**  
**LWM41**  
**Legacy® Wall Mount**

## IMPORTANT SAFETY INSTRUCTIONS

1. Installation and servicing should only be done by qualified service personnel and conform to all local codes.
2. Installation shall be done in accordance with all local and national electrical and mechanical codes utilizing only approved materials.
3. Use only installation methods and materials capable of supporting four times the maximum specified load.
4. Use stainless steel hardware to fasten the mount to outdoor surfaces.
5. To prevent damage from water leakage when installing a mount outdoors on a roof or wall, apply sealant around the bolt holes between the mount and mounting surface.

The product and/or manual may bear the following marks:

 **WARNING:** This symbol indicates that there are important operating and maintenance instructions in the literature accompanying this unit.

Please thoroughly familiarize yourself with the information in this manual prior to installation and operation.

## DESCRIPTION

The LWM41 wall mount is designed for use with all Legacy® Series pan/tilts, giving your installation a very neat and attractive look. All Legacy Series mounts and optional adapters are finished in a textured gray polyester powder coat to match the pan/tilts and enclosures.

The LWM41 wall mount may be directly attached to any vertical load-bearing structure, and can be used with the PA402 pole mount adapter, the CM400 corner mount adapter, or the PP300L/PP301L/PP4348/PP400 adapter for parapet mounting applications. This mount will support up to 150 pounds (68 kg).

The LWM41 may also be used with an optional integral receiver (refer to *Optional Receiver Models* on page 2).

## OPTIONAL ADAPTERS

PP300L	Parapet corner adapter mount for LWM41, mounts on rooftops and parapets, rotates 360 degrees, supports 175-pound (79.38 kg) load
PP301L	Parapet corner adapter mount for LWM41, mounts to the inside of parapets, rotates 360 degrees, supports 175-pound (79.38 kg) load
PA402	Pole mount adapter for the LWM41, minimum pole diameter 3 inches (7.62 cm), mounting straps not supplied
PP400	Parapet mount adapter, maximum parapet width 16 inches (40.64 cm)
PP4348	Parapet mount for use with LWM41, mounts to rooftop or horizontal flat surface, supports 75-pound (34 kg) load
CM400	Corner mount adapter, supports up to 150 pounds (68 kg)

## OPTIONAL ACCESSORIES

LK4500	Optional lock kit for LWM41 wall mount arm access panel
--------	---


## OPTIONAL RECEIVER MODELS

LRD41A11-1	Fixed speed, Coaxitron® compatible only; 120 VAC input voltage; 120 VAC pan/tilt voltage
LRD41A11-2	Fixed speed, Coaxitron compatible only; 24 VAC input voltage; 24 VAC pan/tilt voltage
LRD41A11-3	Fixed speed, Coaxitron compatible only; 230 VAC input voltage; 120 VAC pan/tilt voltage
LRD41C21-1	Fixed speed, Coaxitron/RS-422 compatible with 64 presets; 120 VAC input voltage; 120 VAC pan/tilt voltage
LRD41C21-2	Fixed speed, Coaxitron/RS-422 compatible with 64 presets; 24 VAC input voltage; 24 VAC pan/tilt voltage
LRD41C21-3	Fixed speed, Coaxitron/RS-422 compatible with 64 presets; 230 VAC input voltage; 120 VAC pan/tilt voltage
LRD41C22-1	Variable speed, Coaxitron/RS-422 compatible with 64 presets; 120 VAC input voltage; 12 VDC pan/tilt voltage
LRD41C22-2	Variable speed, Coaxitron/RS-422 compatible with 64 presets; 24 VAC input voltage; 12 VDC pan/tilt voltage
LRD41C22-3	Variable speed, Coaxitron/RS-422 compatible with 64 presets; 230 VAC input voltage; 12 VDC pan/tilt voltage

## INSTALLATION

The following parts are supplied:

- 1 Mount arm (LWM41)
- 4 1/4-20 x 5/8-inch cap screws
- 4 1/4-inch washers
- 1 Block-off plate

 **WARNING:** Verify that the mounting surface is capable of supporting the full load of the mount, scanner, pan/tilt, and camera/enclosure.

To install the LWM41 mount:

1. If you are installing the LWM41 mount on a wall, drill four mounting holes (refer to Figure 2 on page 3 for hole placement).  
If you are using a pole, parapet, or corner mount adapter, install the adapter according to the instructions that are supplied with the adapter.
2. Either pull the wire cables into the rear of the LWM41 mount, or pull the cables through the bottom of the mount arm.  
If you pull the cables into the rear of the LWM41 mount, follow the steps below. If you pull the cables through the bottom of the LWM41 mount, proceed to step 3.
  - a. For rear entry cabling:
    - (1) If you are mounting the LWM41 mount on a wall, use the block-off plate as a template to drill holes in the wall for cables.
    - (2) Pull the cables to the mounting location. Orient the cables so that the power cable feeds into the left side of the mount (when looking at the rear of the mount) and the video and other cables feed into the right side of the mount. Refer to the labels on the rear of the mount.
    - (3) If you are using conduit, secure the cable conduit to the block-off plate.  
If you are not using conduit, the block-off plate is optional.

**NOTE:** To achieve a NEMA Type 4 rating the block-off plate is required. Insert the cables through the holes in the plate.

3. Attach the mount and, if used, the block-off plate securely to the mounting surface with four 5/16-inch diameter fasteners (not supplied with the LWM41 mount). If you pull cables through the rear of the LWM41 mount, feed a few inches of the cables into the mount before fastening it.
4. Open the access panel in the bottom of the LWM41 mount. If the cables are coming into the LWM41 mount through the rear of the mount, pull the cables inside the mount so that you can make the connections.
5. Install the receiver box inside the LWM41 mount. Follow the instructions in the manual provided with the receiver.

If you are pulling the wire cables into the LWM41 mount through the bottom of the mount arm, remove the cover plate from the bottom of the unit.

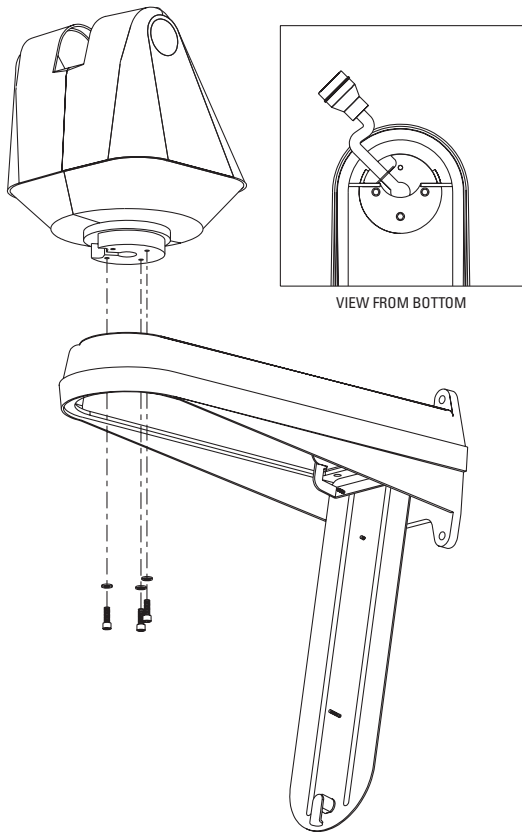
If you are installing a Legacy receiver, the cover plate will be replaced with a gland plate with two glands to route wire cables into the LWM41 mount. The gland plate and glands are furnished with the receiver.

If you are not installing a Legacy receiver, you will need to order a gland plate, two PG-13.5 glands, and two gland nuts. The glands and gland nuts are not required if you use conduit. The parts can be ordered from Pelco by specifying the following part numbers: 9411000WA for the gland plate, EH470010007B for the glands, and EH470010008B for the gland nuts.

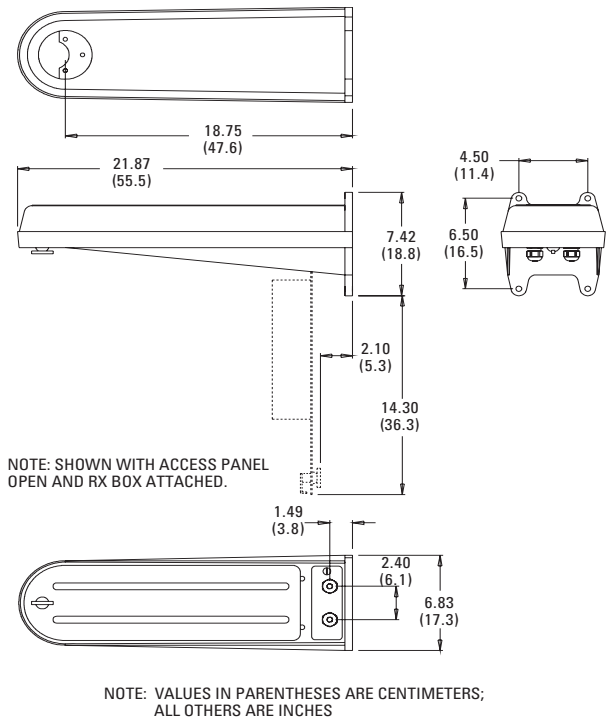
A green wire is provided inside the LWM41 mount to ground the unit.

To install any Legacy Series pan/tilt with the LWM41 mount:

1. Route the pan/tilt pigtail wire connector through the hole of the mount.
2. Place the pan/tilt on the mount, without the enclosure being attached to the pan/tilt. Be sure the factory-installed gasket is on the bottom of the pan/tilt spindle for protection (refer to Figure 1).
3. Secure the pan/tilt to the mount using three 1/4-20 x 5/8-inch cap screws supplied with the mount (refer to Figure 1). Be sure to apply some form of thread locker (for example, Loctite®) to the screws. Use a 3/16-inch Allen wrench to tighten the screws.
4. Connect the pan/tilt 37-position connector to the receiver.
5. Close the access panel, making sure none of the cables or wires are interfering with the lid.
6. Turn the lid fastener to secure the lid.



**Figure 1. Pan/Tilt Mounting**



**Figure 2. LWM41 Dimension Drawing**

## SERVICE MANUAL

If you need replacement parts, obtain a service manual in one of the following ways:

- Go to Pelco's Web site at [www.pelco.com](http://www.pelco.com) and locate service manual C283SM.
- Contact Pelco's Literature Department and request service manual C283SM.

## SPECIFICATIONS

Material	Aluminum casting and sheet metal
Finish	Textured gray, polyester powder coat
NEMA Rating	Meets NEMA Type 4 standards (with all factory-supplied gaskets and block-off plates installed)
Maximum Load	150 lb (68 kg)
Weight	9.51 lb (4.31 kg)
	14 lb (6.35 kg) approximate with receiver installed

*(Design and specifications are subject to change without notice.)*

## PRODUCT WARRANTY AND RETURN INFORMATION

### WARRANTY

Pelco will repair or replace, without charge, any merchandise proved defective in material or workmanship **for a period of one year** after the date of shipment.

Exceptions to this warranty are as noted below:

- Five years on FR/FT/FS Series fiber optic products and TW3000 Series unshielded twisted pair transmission products.
- Three years on Spectra® IV products.
- Three years on Genex® Series products (multiplexers, server, and keyboard).
- Three years on Camclosure® and fixed camera models, except the CC3701H-2, CC3701H-2X, CC3751H-2, CC3651H-2X, MC3651H-2, and MC3651H-2X camera models, which have a five-year warranty.
- Three years on PMCL200/300/400 Series LCD monitors.
- Two years on standard motorized or fixed focal length lenses.
- Two years on Legacy®, CM6700/CM6800/CM9700 Series matrix, and DF5/DF8 Series fixed dome products.
- Two years on Spectra III™, Esprit®, ExSite™, and PS20 scanners, including when used in continuous motion applications.
- Two years on Esprit and WWV5700 Series window wiper (excluding wiper blades).
- Two years (except lamp and color wheel) on Digital Light Processing (DLP®) displays. The lamp and color wheel will be covered for a period of 90 days. The air filter is not covered under warranty.
- Eighteen months on DX Series digital video recorders, NVR300 Series network video recorders, and Endura™ Series distributed network-based video products.
- One year (except video heads) on video cassette recorders (VCRs). Video heads will be covered for a period of six months.
- Six months on all pan and tilts, scanners or preset lenses used in continuous motion applications (that is, preset scan, tour and auto scan modes).

Pelco will warrant all replacement parts and repairs for 90 days from the date of Pelco shipment. All goods requiring warranty repair shall be sent freight prepaid to Pelco, Clovis, California. Repairs made necessary by reason of misuse, alteration, normal wear, or accident are not covered under this warranty.

Pelco assumes no risk and shall be subject to no liability for damages or loss resulting from the specific use or application made of the Products. Pelco's liability for any claim, whether based on breach of contract, negligence, infringement of any rights of any party or product liability, relating to the Products shall not exceed the price paid by the Dealer to Pelco for such Products. In no event will Pelco be liable for any special, incidental or consequential damages (including loss of use, loss of profit and claims of third parties) however caused, whether by the negligence of Pelco or otherwise.

The above warranty provides the Dealer with specific legal rights. The Dealer may also have additional rights, which are subject to variation from state to state.

If a warranty repair is required, the Dealer must contact Pelco at (800) 289-9100 or (559) 292-1981 to obtain a Repair Authorization number (RA), and provide the following information:

1. Model and serial number
2. Date of shipment, P.O. number, Sales Order number, or Pelco invoice number
3. Details of the defect or problem

If there is a dispute regarding the warranty of a product which does not fall under the warranty conditions stated above, please include a written explanation with the product when returned.

Method of return shipment shall be the same or equal to the method by which the item was received by Pelco.

### RETURNS

In order to expedite parts returned to the factory for repair or credit, please call the factory at (800) 289-9100 or (559) 292-1981 to obtain an authorization number (CA number if returned for credit, and RA number if returned for repair).

All merchandise returned for credit may be subject to a 20% restocking and refurbishing charge.

Goods returned for repair or credit should be clearly identified with the assigned CA or RA number and freight should be prepaid. Ship to the appropriate address below.

*If you are located within the continental U.S., Alaska, Hawaii or Puerto Rico, send goods to:*

Service Department  
Pelco  
3500 Pelco Way  
Clovis, CA 93612-5699

*If you are located outside the continental U.S., Alaska, Hawaii or Puerto Rico and are instructed to return goods to the USA, you may do one of the following:*

If the goods are to be sent by a COURIER SERVICE, send the goods to:

Pelco  
3500 Pelco Way  
Clovis, CA 93612-5699 USA

If the goods are to be sent by a FREIGHT FORWARDER, send the goods to:

Pelco c/o Expeditors  
473 Eccles Avenue  
South San Francisco, CA 94080 USA  
Phone: 650-737-1700  
Fax: 650-737-0933

 The materials used in the manufacture of this document and its components are compliant to the requirements of Directive 2002/95/EC.



This equipment contains electrical or electronic components that must be recycled properly to comply with Directive 2002/96/EC of the European Union regarding the disposal of waste electrical and electronic equipment (WEEE). Contact your local dealer for procedures for recycling this equipment.

### REVISION HISTORY

Manual #	Date	Comments
C283M	9/95	Original manual.
	12/95	Manual revised to include updated LWM41RETRO kit information in Section 4.3. Product load rating changed to 150 pounds (68 kg).
	1/97	In Section 4.0 and paragraph 3 of Section 4.3 changed the part descriptions for the cap screws and flat washers.
C283M-A	5/97	Revision A. Revised to include new LRD41C21/C22 Series receivers. Mechanical parts list updated.
C283M-B	8/97	Added the PP300L and PP301L parapet corner adapter mounts. Revised installation instructions, exploded assembly diagram, and mechanical parts list. Changed description of cap screws that are supplied as loose equipment to install the pan/tilt unit.
C283M-C	4/07	Reformatted document. Removed obsolete product information (LWM41RETRO).

**Worldwide Headquarters • 3500 Pelco Way • Clovis, California 93612 USA • [www.pelco.com](http://www.pelco.com)**

USA & Canada • Tel: 800/289-9100 • Fax: 800/289-9150

International • Tel: 1-559/292-1981 • Fax: 1-559/348-1120

Pelco, the Pelco logo, Camclosure, Coaxitron, Esprit, Genex, Legacy, and Spectra are registered trademarks of Pelco.  
Endura and ExSite are trademarks of Pelco.  
DLP is a registered trademark of Texas Instruments, Inc.  
Loctite is a registered trademark of Henkel KG&A, its subsidiaries, affiliates, licensors, or joint venture partners.

©Copyright 2007, Pelco. All rights reserved