

LWM41 Mount

WALL MOUNT, LEGACY® SERIES, PAN/TILT

Product Features

- Easy to Install
- Lightweight, Cast-Aluminum Construction
- Supports up to 150 Pounds (68 kg)
- For Use with Legacy® Integrated Positioning Systems
- Can Be Used with Optional Legacy LRD41 Series Receiver
- Optional Access Panel Lock Kit
- Optional Corner, Parapet, and Pole Adapters Available

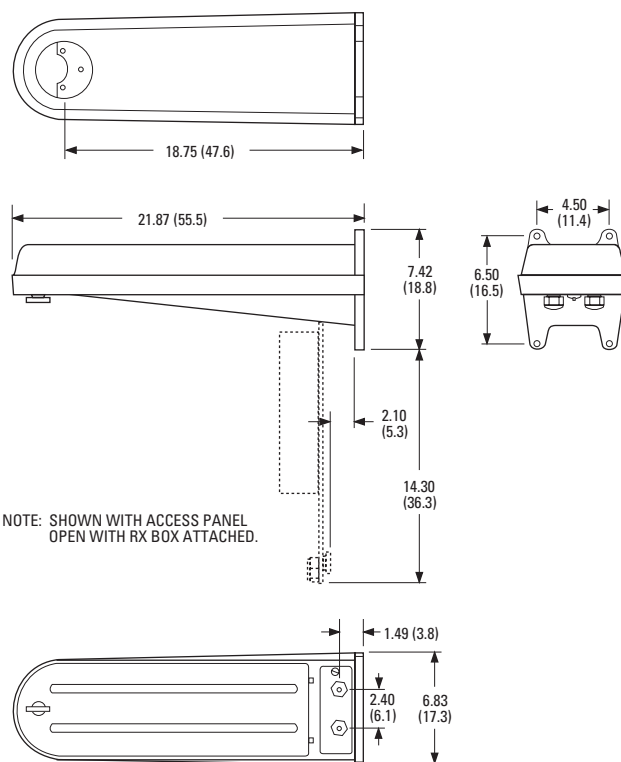


The **LWM41** is a wall mount designed for use with all Legacy® integrated positioning systems.

Constructed from cast aluminum, the **LWM41** is capable of supporting up to 150 pounds (68 kg). This timesaving and easy-to-install mount houses the entire Legacy system (pan/tilt, enclosure, and receiver) in one location. Video and power cables can be routed through the rear or bottom of the mount. An optional block-off plate is supplied for NEMA Type 4 and conduit applications. The bottom access panel is easily accessible for installation and maintenance of the optional receiver, and an access panel lock kit (LK4500) is available for additional security.

Optional Coaxitron® receiver (LRD41A11 or LRD41C21/LRD41C22 Series) is available in fixed or variable speed models, with or without presets. Also available is an optional LRD41TLC test/local control module for testing system and lens functions. This plug-in module operates on +5 VDC supplied by the receiver.

The **LWM41** can be adapted for use in corner, pole, and parapet applications when used with the appropriate mount adapter.



NOTE: VALUES IN PARENTHESES ARE CENTIMETERS; ALL OTHERS ARE INCHES.



TECHNICAL SPECIFICATIONS

MODEL

LWM41 Wall mount for Legacy® integrated positioning system and optional receiver

RELATED PRODUCTS

Legacy® Integrated Positioning Systems Medium-duty system (EH4700L and EH5700L Series enclosure and PT780 Series pan/tilt). Medium-duty system (EH8106L pressurized enclosure and PT780 Series pan/tilt).

LRD41A11 Series Legacy fixed speed receiver, Coaxitron® compatible.

LRD41C21 Series Legacy fixed speed receiver, Coaxitron/RS-422 compatible with up to 64 presets.

LRD41C22 Series Legacy variable speed receiver, Coaxitron/RS-422 compatible with up to 64 presets.

LRD41TLC Test/local control module for use with optional receiver.

MECHANICAL

Pan/Tilt Mounting Four 1/4-20 x 5/8-inch cap screws and washers (supplied) for attaching pan/tilt

Mounting Method Secure with four fasteners suitable for mounting surface (minimum 5/16-inch recommended, not supplied)

GENERAL

Construction Aluminum casting

Finish Gray polyester powder coat

Maximum Load 150 lb (68 kg)

Unit Weight 9.51 lb (4.32 kg)

14 lb (6.35 kg) approximate with receiver installed

Shipping Weight 12 lb (5.44 kg)

CERTIFICATIONS/RATINGS

- Meets NEMA Type 4 standards (with all factory-supplied gaskets and block-off plates installed)

OPTIONAL ACCESSORIES

LK4500 Lock kit (with keys) for LWM41 wall mount access panel

OPTIONAL MOUNT ADAPTERS

CM400 Corner mount adapter.

PA402 Pole mount adapter. Minimum pole diameter 3 inches.

PP300L Parapet corner mount adapter. Mounts on top of rooftop or parapet.

PP301L Parapet corner mount adapter. Mounts to inside of parapet.

PP400 Parapet mount adapter. Mounts to inside/outside of parapet wall.

PP4348 Parapet mount. Mounts to rooftop or horizontal flat surface.



Pelco, Inc. Worldwide Headquarters:
3500 Pelco Way, Clovis, California 93612-5699 USA
USA & Canada Tel: (800) 289-9100 • FAX: (800) 289-9150
International Tel: +1 (559) 292-1981 • FAX: +1 (559) 348-1120
www.pelco.com

Pelco, the Pelco logo, Coaxitron, and Legacy are registered trademarks of Pelco, Inc. Specifications subject to change without notice. ©Copyright 2000, Pelco, Inc. All rights reserved.