

MR3000/MR3050 Mount

CEILING/WALL MOUNT, MONITOR

Product Features

- Ceiling or Wall Mounting
- Accommodates Various Monitors
- MR3000 Supports up to 40 Pounds (18 kg)
MR3050 Supports up to 65 Pounds (29.45 kg)
- Tilt Angle Adjustable $\pm 45^\circ$
- Adjustable Collar Rotates 360° in Horizontal Plane



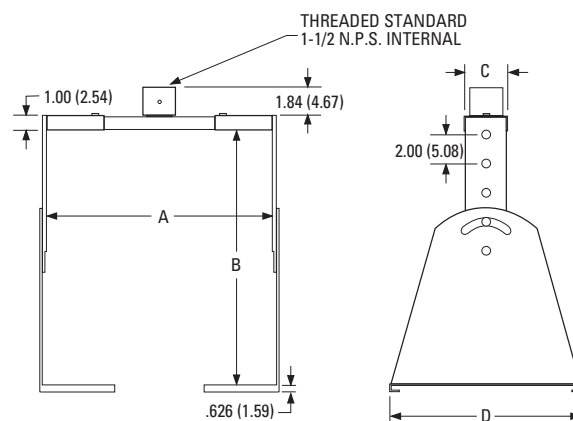
MR3000/MR3050

The **MR3000/MR3050** are universal monitor mounts engineered to mount a monitor safely from either a ceiling or a wall and designed for various applications such as educational institutions, churches, hospitals, convenience stores, and other security installations requiring flexibility in monitor mounting and positioning.

All mounts are adjustable. The **MR3000** will accept monitors with a minimum width and height of 10.12 inches (25.70 cm) by 11.50 inches (29.21 cm) or a maximum of 16.25 inches (41.27 cm) by 17.62 inches (44.75 cm). The **MR3050** will accept monitors with a minimum width and height of 14.00 inches (35.56 cm) by 15.00 inches (38.10 cm) or a maximum 21.00 inches (53.34 cm) by 20.00 (50.80 cm).

The adjustable collar rotates 360 degrees in a horizontal plane and allows you to reposition the monitor without unscrewing the pipe from the adapter. The perforations in the base plate accommodate various monitor mounting patterns, making the **MR3000** and **MR3050** truly universal monitor mounts.

An 8-inch (20.32 cm) section of 1.5-inch NPT threaded pipe is furnished with the mount to allow for either ceiling or wall mounting. Two optional adapters are available: the MRCA for ceiling mounting and the MRWA for wall mounting.



	A	B	C	D
MR3000	10.12 (25.70) MIN. 16.25 (41.27) MAX.	11.50 (29.21) MIN. 17.62 (44.75) MAX.	3.00 (7.62)	13.12 (33.32)
MR3050	14.00 (35.56) MIN. 21.00 (53.34) MAX.	15.00 (38.10) MIN. 20.00 (50.80) MAX.	3.00 (7.62)	17.00 (43.18)

NOTE: VALUES IN PARENTHESES ARE CENTIMETERS;
ALL OTHERS ARE INCHES.

MR3000/MR3050 DIMENSION DRAWING



TECHNICAL SPECIFICATIONS

MODELS

MR3000	Adjustable monitor mount for small monitors
MR3050	Adjustable monitor mount for medium or large monitors

RELATED PRODUCTS

MRCA	Ceiling mount adapter (uses four 5/16-inch diameter fasteners, not supplied).
MRWA	Wall mount adapter (uses a minimum of six 5/16-inch diameter fasteners, not supplied).

Note: The mounting surface must be able to support the total weight of the monitor and the mount.

GENERAL

Tilt Angle	Adjustable $\pm 45^\circ$
Maximum Load	
MR3000	40 lb (18 kg)
MR3050	65 lb (29.45 kg)
Construction	Steel
Finish	Black polyester powder coat
Unit Weight	
MR3000	11.42 lb (5.18 kg)
MR3050	19.95 lb (9.05 kg)
MRCA	1.22 lb (0.55 kg)
MRWA	11.35 lb (5.15 kg)
Shipping Weight	
MR3000	14 lb (6.34 kg)
MR3050	23 lb (10.42 kg)
MRCA	2 lb (0.9 kg)
MRWA	13 lb (5.88 kg)



Pelco, Inc. Worldwide Headquarters:
3500 Pelco Way, Clovis, California 93612-5699 USA
USA & Canada Tel: (800) 289-9100 • FAX: (800) 289-9150
International Tel: +1 (559) 292-1981 • FAX: +1 (559) 348-1120
www.pelco.com

Pelco and the Pelco logo are registered trademarks of Pelco, Inc.
Product specifications and availability subject to change without notice.
©Copyright 2000, Pelco, Inc. All rights reserved.