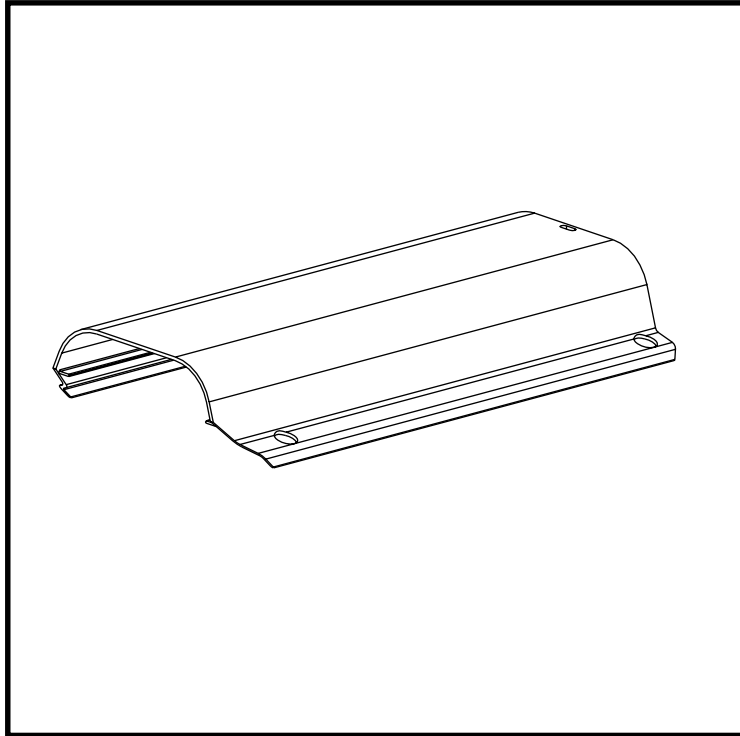


# Installation Instruction



**Panasonic**

Before attempting to connect or operate this product,  
please read these instructions completely.

**WARNING**

This service information is designed for experienced repair technicians and is not designed for use by the general public.

It does not contain warnings or cautions to advise nontechnical individuals of potential dangers in attempting to service a product.

Products powered by electricity should be serviced or repaired only by experienced professional technicians. Any attempt to service or repair this product or products dealt with in this service information by anyone else could result in serious injury or death.

**CAUTION**

RISK OF ELECTRICAL SHOCK  
DO NOT OPEN



CAUTION:  
TO REDUCE THE RISK OF ELECTRIC SHOCK,  
DO NOT REMOVE COVER (OR BACK). NO USER  
SERVICEABLE PARTS INSIDE.  
REFER SERVICING TO QUALIFIED SERVICE  
PERSONNEL.




This symbol warns the user that uninsulated voltage within the unit may have sufficient magnitude to cause electric shock. Therefore, it is dangerous to make any kind of contact with any inside part of this unit.



This symbol warns the user that important literature concerning the operation and maintenance of this unit has been included. Therefore, it should be read carefully in order to avoid any problems.

**IMPORTANT SAFETY NOTICE**

There are special components used in this equipment which are important for safety. These parts are indicated by the  mark on the schematic and the replacement parts list. It is essential that these critical parts should be replaced with manufacturer's specified parts to prevent shock, fire, or other hazards.

Do not modify the original design without permission of manufacturer.

**CAUTION**

This must be properly and securely mounted to a supporting structure capable of sustaining the weight of the bracket and camera assembly. Accordingly,

1. The installation should be made by a qualified installer.
2. The installation should be in compliance with local codes.
3. Care should be exercised to select suitable hardware to install the unit, taking into account both the composition of the mounting surface and the weight the hardware will be required to sustain.

Be sure to periodically examine the unit and the supporting structure to make sure that the integrity of the installation is intact.

Failure to comply with the foregoing could result in the unit coming loose from the support structure and falling, with resultant damages or injury to anyone or anything struck by the falling unit.

## 1. PRECAUTIONS ON INSTALLATIONS

- Installation should be in accordance with all applicable local and National Electric codes. Only approved materials should be utilized.
- This unit must be properly and securely mounted to a supporting structure that is capable of sustaining the weight of the housing.
- Read instruction completely before installation and operation.

### Standard Accessories (supplied)

- 1 pc. Sunshield
- 1 pc. 6-32 x 5/8 screw
- 1 pc. Locknut

### Installation for PSS10 and PSS15

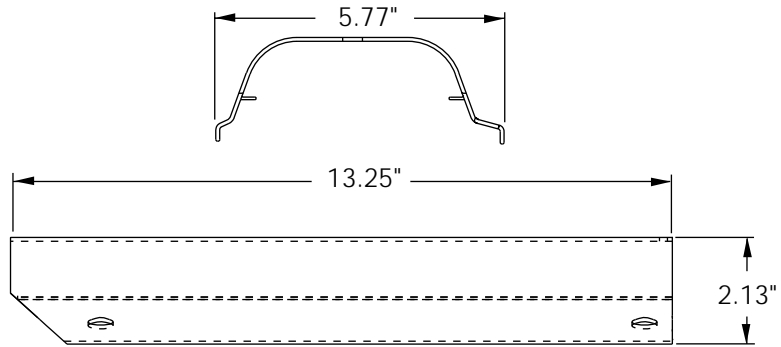
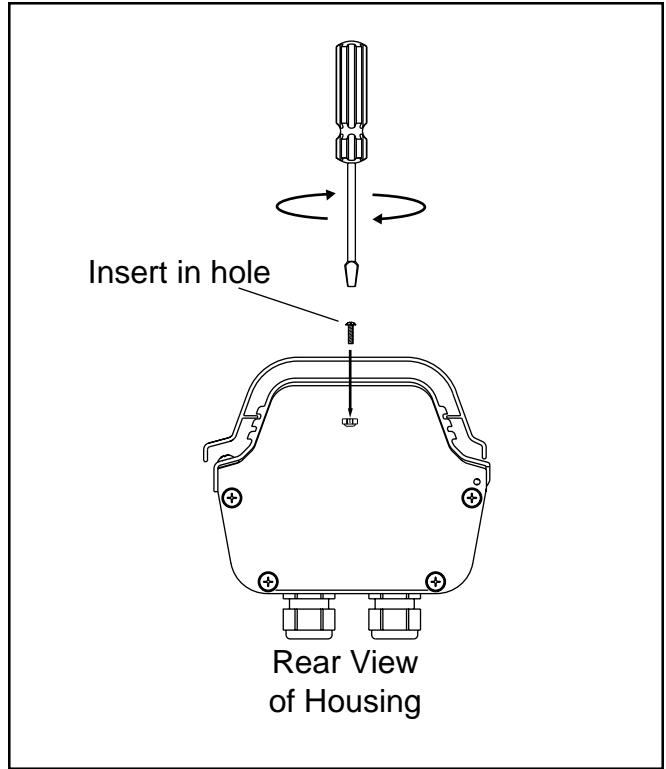
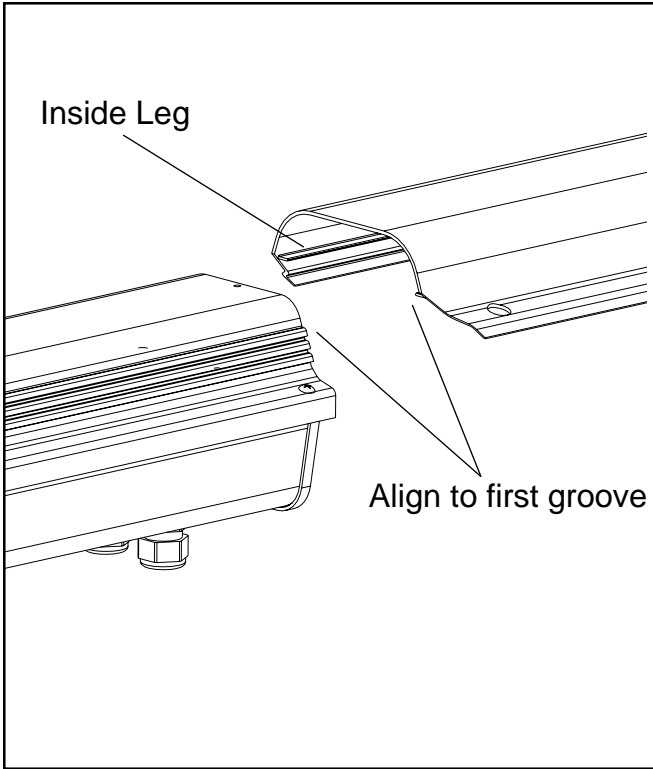
1. Align inside legs of the sunshield with the top grooves of the POH top extrusion.
2. Slide legs into grooves and push sunshield onto the housing until the ends of both parts are flush and the access holes on the sunshield are aligned with the screws on the top extrusion of the POH.

**NOTE: It may be necessary to slightly bend open the end of the sunshield to help start the inside legs sliding into the grooves.**

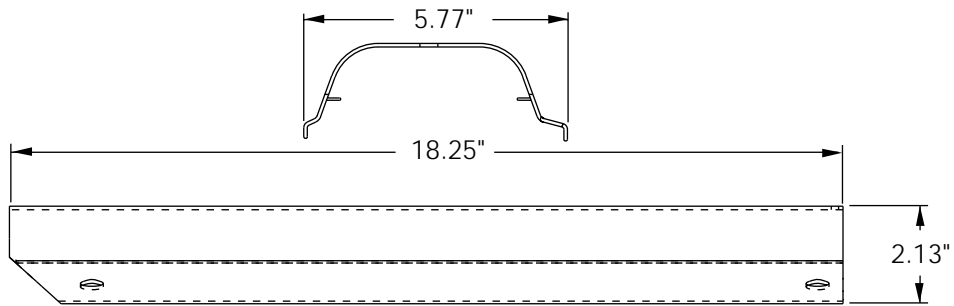
**NOTE: Sunshield may be installed from the front or the rear of the housing.**

3. After sliding the sunshield onto the housing make sure the hole on the rear of the sunshield and the hole on the rear of the housing top are aligned.
4. Take the 6-32x5/8" Truss Phillips head screw and insert it into the hole in the rear of the sunshield and through the POH top extrusion. Secure the screw with the locknut.

**NOTE: Do not over tighten the nut to the point to where the sunshield begins to bow in the center.**



**PSS10**



**PSS15**