

PT1250P Pan/Tilt

OUTDOOR, HEAVY DUTY

Product Features

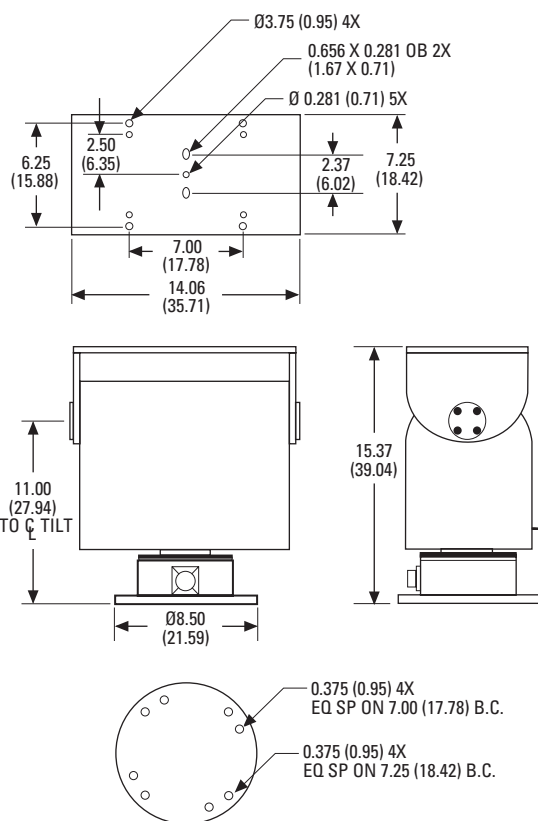
- 120 VAC Operation
- Optional Preset Positioning Capability
- Heavy Duty, Adjustable Worm-Gear Final Drive
- External Pan and Tilt Limit Adjustment
- Capable of Auto/Random Scan Operation
- Rugged Aluminum Construction
- Indoor/Outdoor Applications
- Maximum Load 100 lb (45.4 kg)

The **PT1250P** is a heavy duty pan/tilt easily capable of handling loads up to 100 pounds (45.4 kg). Equipped with high torque AC motors with adjustable worm-gear final drives, this pan/tilt ensures long operational life as well as drift-free operation.

The **PT1250P** is capable of auto/random scan operation when used with our solid-state auto/random scan joystick control. No additional conductors, micro switches, or relays are required for auto/random scan operation.

The **PT1250P** is manufactured from cast and plate aluminum with all internal parts corrosion-protected steel or aluminum. Limit stops are externally adjustable for ease of installation.

The **PT1250P** is recommended for use with our EH5700 Series environmental enclosures.



NOTE: VALUES IN PARENTHESES ARE CENTIMETERS; ALL OTHERS ARE INCHES.



TECHNICAL SPECIFICATIONS

MODELS

PT1250P	Heavy duty pan/tilt, 120 VAC
PT1250P/PP	Same as PT1250P except has preset positioning option. Requires preset control

ELECTRICAL

Input Voltage	120 VAC, 50/60Hz
Pan/Tilt Power Requirements	
Running	0.48 A (57.5 VA)
Starting	0.60 A (72.5 VA)
Connectors	AMP CPC type (mate supplied)
Motors	Two-phase induction type, instantaneous reversing
Limit Switches	5 A each (pan and tilt); external adjustment
Conductor Requirements	6 or 7, unshielded (functions: left, right, up, down, motor common, safety ground). No additional conductors for auto scan when used with solid-state control. PP option requires additional 4 conductors

Maximum Operating Distances*

	Cable Size	Maximum Distance
6 Conductors	20 AWG (0.5mm ²)	489 ft (149 m)
	18 AWG (1.0mm ²)	778 ft (237 m)
	16 AWG (1.5mm ²)	1,235 ft (376 m)
7 Conductors [†]	20 AWG (0.5mm ²)	978 ft (298 m)
	18 AWG (1.0mm ²)	1,556 ft (474 m)
	16 AWG (1.5mm ²)	2,470 ft (752 m)

*Distances are calculated with both motors (pan and tilt) running and assuming a 10% voltage drop.

[†]Using 2-wire motor common.

MECHANICAL

Pan	0 to 355° movement in horizontal plane
Speed	6°/sec ±1°
Torque	50 ft-lb with specified voltage
Tilt	±90° movement in vertical plane
Speed	3°/sec ±0.5°
Maximum Load	100 lb (45.4 kg) at 5 inches (12.7 cm) from tilt table surface to center of gravity
	Adjustable worm-gear final drive
Gearing	
Bearings	
Pan	Heavy-duty ball bearings
Tilt	Oilite bronze bushing
Braking	Mechanical
Duty cycle	50% duty cycle; 30 minute rating

GENERAL

Construction	Aluminum casting and plate; all internal parts corrosion protected
Finish	Gray polyester powder coat
Environment	Indoor/outdoor; -10° to 120°F (-23° to 49°C)
Unit Weight	54 lb (24.5 kg)
Shipping Weight	59 lb (26.7 kg)

CERTIFICATIONS/RATINGS

- UL Listed
- Meets NEMA Type 3R standards

RECOMMENDED CONTROLS

Coaxitron® or Matrix	Refer to individual specification sheets for information. Preset pan/tilt must be used with Coaxitron or Matrix control with PP capability and preset receiver.
MPTAZ Series	Desktop control (PTZ) with auto/random scan for 120/24 VAC pan/tilts.

RECOMMENDED ENCLOSURES

EH5700 Series	Environmental enclosure, large.
---------------	---------------------------------

RECOMMENDED MOUNTS

PA2010	Adapter plate; required when using WM2000
PM2000, PM2010	Ceiling/pedestal mount; maximum load 125 lb (56.7 kg)
ST1	Support strut for WM2000/PM2000/PM2010; increases maximum load
WM2000	Wall mount; use with PA2010 adapter and ST1 support strut
WM3026	Wall mount with adjustable head; maximum load 300 lb (136 kg)

ACCESSORIES

LL27 Series	Low light infrared illuminator with 500 W lamp
-------------	--

Pelco, Inc. Worldwide Headquarters:

3500 Pelco Way, Clovis, California 93612-5699 USA

USA & Canada Tel: (800) 289-9100 • FAX: (800) 289-9150

International Tel: +1 (559) 292-1981 • FAX: +1 (559) 348-1120

www.pelco.com

Pelco, the Pelco logo, and other trademarks associated with Pelco products referred to in this publication are trademarks of Pelco, Inc. or its affiliates. All other product names and services are the property of their respective companies. Product specifications and availability are subject to change without notice.

©Copyright 2010, Pelco, Inc. All rights reserved.