

[www.GESecurity.com](http://www.GESecurity.com)

## **S7733DV**

*One-Way Video, Two-Way, 2-Channel Multiprotocol Data and Contact Closure*

### **Overview**

The S7733DV fiber link provides one-way video transmission combined with two-way, 2-channel multiprotocol data, and 2-channel contact closure over one or two single-mode fibers.

### **Video Processing**

The units utilize 9-bit video processing of the video component along with a signal-to-noise ratio of >65 dB that assures clean, noise-free video at the receiver.

### **Data Translation**

The data functions include the unique data translation feature, which allows one data format to be input and a different data format to be output. Data formats are selected during installation and can be easily changed in the field via rotary switch.

### **Superior Diagnostics**

The SMARTS™ diagnostic technology provides an extensive set of built-in diagnostic tools including a video test pattern generator that allows failures to be diagnosed from the monitor. LED displays monitor the video, data, contact, and optical signals.



### **Standard Features**

- **One-way video, two-way, 2-channel data transmission over one or two single-mode fibers**
- **9-bit video processing**
- **640 TV lines video resolution**
- **Unique data translation function**
- **Local or remote user-configurable data format**
- **Relay/contact closure - 2 duplex channels**
- **Supports multiprotocol data formats including RS-232, TTL, RS-422, RS-485, Manchester, Biphase, and SensorNet**
- **SMARTS™ diagnostics including on-screen monitor displays and built-in video test pattern generator**



# S7733DV

One-Way Video, Two-Way, 2-Channel Multiprotocol Data and Contact Closure

## Specifications

### Video

- Channels: 1 simplex
- Format: All major formats
- Input/Output Signal: 1.0 V pk - pk composite
- Bandwidth: 8 MHz
- Video Resolution: 640 TV lines
- Signal-to-Noise Ratio: >65 dB
- Input/Output Impedance: 75 ohms
- Differential Phase: 0.7°
- Differential Gain: <1%

### Data

- Channels: 2 duplex, format independent
- Formats: RS-232 (3-wire/5-wire), TTL, RS-422, RS-485 (2-wire/4-wire), Manchester, Biphase, SensorNet
- Baud Rate: 250 bps to 512 kbps (depending on data format)
- Relay/Contact Closures: 2 duplex channels
- Relay/Contact Rating: 1 A at 30 VDC
- Bit Error Rate: <1.0E-9

### Optical

- Mode: Single Mode
- Optical Budget: 18 dB
- Emitter: Laser
- Wavelength: 1310 nm and/or 1550 nm (depending on model)
- Operating Distance: Up to 27 mi (43 km)
- Gain Control: Optical Automatic Gain Control (OAGC)

### Electrical

- Input Power: 13.5 VDC regulated
- Current Requirement: 500 mA
- Power Consumption: 7 W
- Power Factor: 5
- Protection: Solid-state short circuit protection
- Power Supply: Model 613P (optional)

### Environmental

- Operating Temperature: -40 to 167 °F (-40 to 75 °C)
- Maximum Humidity: 95% relative, noncondensing

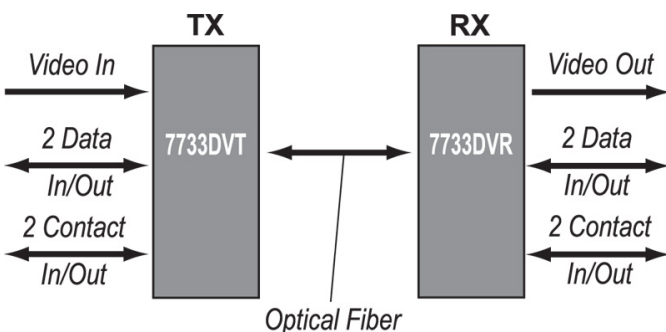
### Standards

- Emissions: FCC Part 15, ICES-003, AS/NZS 3548, EN55022
- Immunity: ENV50130-4
- Safety: UL 1950, CAN/CSA 22.2, NO. 950-95
- Laser Safety: 21CFR1040, EN60825-1, -2

### Mechanical

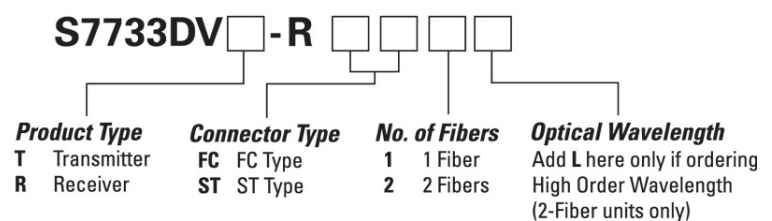
- Dimensions: 2 slots (2.0")
- Weight: 0.8 lbs (0.36 kg)
- Construction: Aluminum

## Related Diagram



## Ordering Information

Use the Configurator below to select the options available for this product.



Mailing Address  
4575 Research Way, STE 250  
Corvallis, OR 97333 USA  
www.GESecurity.com

Americas  
800-469-1676 (US only)  
tel 541-754-9133  
fax 541-754-7162

Asia  
tel 852-2907-8108  
fax 852-2142-5063  
  
Australia  
tel +61-3-9676-0270  
fax +61-3-9646-7005

Europe  
tel +44-113-238-1668  
fax +44-113-253-8121  
  
Latin America  
tel 305-267-4301  
fax 305-267-4300

www.GESecurity.com