

**WELDEX**

# Owner's Instructions

[CE Approved]

[Day/Night VariFocal Bullet Camera]



WDB-3490DN  
WDB-3495DN  
WDBAC-3490DN  
WDBAB-3495DN

## 1. INFORMATION FOR USER

### General Warning



**WARNING**  
RISK OF ELECTRIC SHOCK  
DO NOT OPEN



To reduce the risk of electric shock - only allow a qualified installer or engineer to remove the cover.



The lightning flash with arrowhead symbol, within an equilateral triangle, is intended to alert the user to the presence of "dangerous voltage" within a product's enclosure that may be of sufficient magnitude to constitute a risk of electric shock.



The exclamation point within an equilateral triangle is intended to alert the user to the presence of important operating and maintenance (servicing) instructions in the literature accompanying the appliance.

**WARNING** - Changes or modifications not expressly approved by the manufacturer may affect the warranty on the equipment.

**CAUTION** - To prevent electric shock and risk of the hazards

- DO NOT use other than specified power source

## 2. PRECAUTIONS

**Do not install or use the camera in an environment where the humidity is high.**  
It can cause the image quality to be poor.

**Do not install the camera under unstable lighting conditions.**  
Severe lighting change or flicker can cause the camera to work improperly.

**Never use the camera close to a gas or oil leak.**  
It can cause malfunctions to occur.

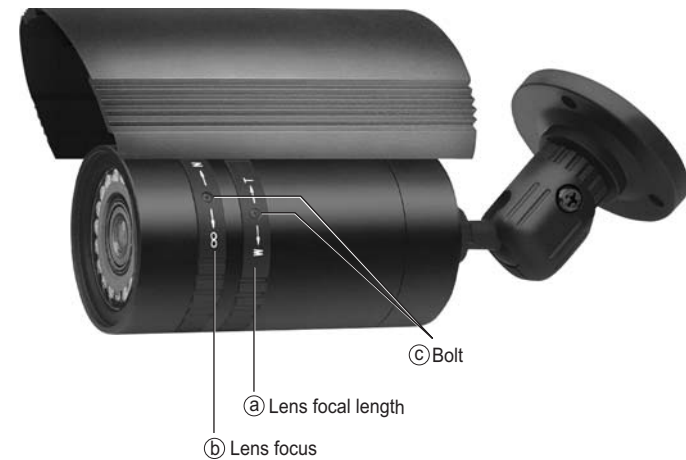
**Do not disassemble the camera.**  
There are no user-serviceable parts inside it.

**Do not drop the camera or subject it to any physical shock.**  
It can cause malfunctions to occur.

**Never install the camera where the lens faces strong light or strong reflected light.**  
Smear or blooming may occur and the CCD may be damaged if the light is very strong or prolonged

## 3. CAMERA LAYOUT

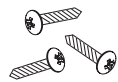
- **Ⓐ- Lens focal length:** Turn the ring to access a range of focal length.
- **Ⓑ- Lens focus:** Turn the ring to obtain sharp focus.  
Make any fine adjustment using both focus and focal length adjustment rings.
- **Ⓒ- Bolt:** Tighten the bolt using supplied L-wrench.



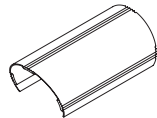
#### 4. ACCESSORIES



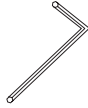
User's Manual



Tapping Screw



Sunshield



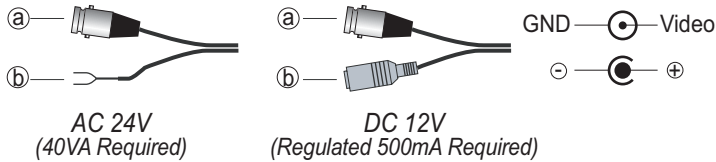
"L"-wrench

#### 5. INSTALLATION

##### Connecting to Monitor and Power

- Connect the BNC Video Out Jack to installed cabling for subsequent connection to a Monitor / DVR / VCR etc.
- Connect a Regulated DC12V (500mA minimum) Power Supply to the Power Input connector.

Note: The connecting plugs or Terminals may be used for Power and Video.

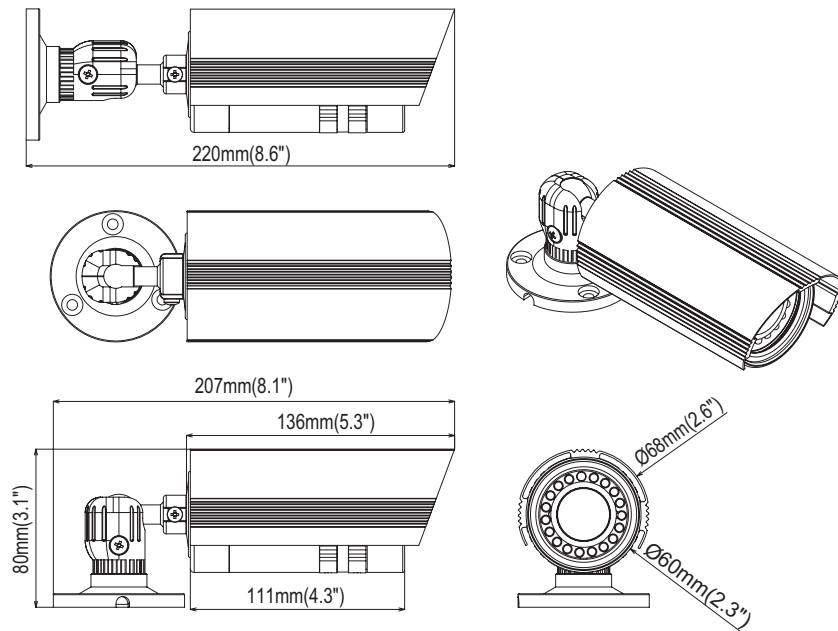


	Function	Terminal
(a)	Video Output	BNC(Yellow)
(b)	Power Input	Power Plug(Black)

#### 6. SPECIFICATIONS

Model	WDB-3490DN, WDB-3495DN, WDBAC-3490DN, WDBAC-3495DN
Image Sensor	1/3" SONY SUPER HAD CCD
Effective Pixels	3495 Series(HI RES.) NTSC: 768 x 494, PAL: 752x582 3490 Series(STD RES.) NTSC: 512 x 492, PAL: 500x582
Scanning System	2:1 Interlaced
H. Resolution	3490 Series(STD RES.): 380TVL, 3495 Series(HI RES.): 480TVL
Scanning Frequency	NTSC: 15,750KHz(H), 60Hz(V) / PAL: 15,625KHz(H), 50Hz(V)
Video Output Level	1.0Vp-p (75Ohms, Composite)
S/N Ratio	More than 50dB (AGC Off)
Gamma	r = 0.45
White Balance	2100°K - 9100°K - Auto
Gain Control	4dB - 32dB - Auto
Min. Illumination	0.3Lux (IR LED Off)
IR LED	(850nm, 20°) x 18ea
CDS Sensor	IR LED On/Off at 5 Lux
Color/BW Control	Color at Daytime & B/W at Nighttime
Operating Temperature	-10°C ~ +60°C (14°F ~ 140°F)
Humidity	10% - 95% RH
Lens	STD Lens : f = 4-9mm Varifocal Lens
MTBF	80,000 Hours
Power Source	DC12V / AC24V
Dimensions (WxHxD)	60mm x 60mm x 111mm / 2.3" x 2.3" x 4.3" -Without Bracket
Weight(Approx)	450g (With/Sunshield)
Output terminal	4 Foot(1.2M) cable with BNC Female for Video DC Jack-Male for Power
Options	Lens f2.6-6mm & f9-22mm One body Bracket Silver & Ivory Color Case 850nm, 10°(25m) /850nm, 30°(10m)

## 6. DIMENSIONS



- 6 -

## 8. TROUBLESHOOTING

If you have trouble when operating your camera, refer to the following. If the guidelines do not enable you to solve the problem, contact an authorized technician.

### **The image on the screen is dim.**

Check whether the window is stained.

If dirty, clean the lens with a soft and clean cloth.

### **Picture contrast is weak.**

Increase the contrast of the monitor display.

If the camera is being used in an area with very bright lights try moving lens iris, otherwise, shutter control may be compensating for the light. Always check that the camera is still correctly focused after it has been moved or adjusted in any way.

### **The image on the screen is dark.**

Increase the brightness of the monitor display.

### **The image on the screen flickers.**

Does the camera face directly into the sun or fluorescent lights?

Change the camera position.

### **The camera does not work properly and the surface of the camera is hot.**

Check your power supply. Make certain that it is regulated. If the distance from the camera to the power supply is more than 100m then you may need to use a larger supply such as 500mA or 1 amp due to voltage drop over the cable length. We recommend a 500mA or 1 amp supply for all long distance runs up to 100m.

- 7 -