



# SPECIFICATION

- Mini high impact armordome that allows for unobstrusive video monitoring While still providing ultimate protection for the camera
- Tamper-proof hardware adds extra protection against vandalism
- Manual pan and tilt adjustments make this camera easy to install on vertical or horizontal surfaces
- Automatic back light compensation
- Digital signal processing (DSP) provides unmatched picture quality
- Heavy-duty all metal armordome base and swivel bracket makes For the most rugged camera enclosure available on the market
- Camera options include: color and B&W, normal resolution (720 / 430TVL) and high resolution (570TVL), AC24V and DC12V power requirements

#### Input voltage

DC12V

#### Power consumption

200mA or less

#### Video connector

BNC

#### Power connector

Bare leads 2.1mm barrel plug

#### Pixels

High resolution - 768(H) x 494(V),  
Normal resolution - 512(H) x 492(V)

#### S/N ratio

More than 48dB

#### Video output

1.0Vp-p 75Ohm

#### CCD

1/3" color DSP and 1/3" monochrome

#### Back light (BLC)

Automatic

#### Construction

Heavy duty metal base and swivel bracket  
- polycarbonate dome cover

#### Color

Black (beige available)

#### Cable entry

1/2" hole on bottom plate

#### Manual pan / tilt adjustment

75° pan / 90° tilt (when installed)

#### Lens

Fixed 3.6mm

(2.2, 2.5, 2.9, 4.3, 6.0, 8.0, 12.0 and 16.0mm available)

#### Dimensions

3.85" DIA. x 2.7" H

#### Operating temp.

+4°F ~ +158°F

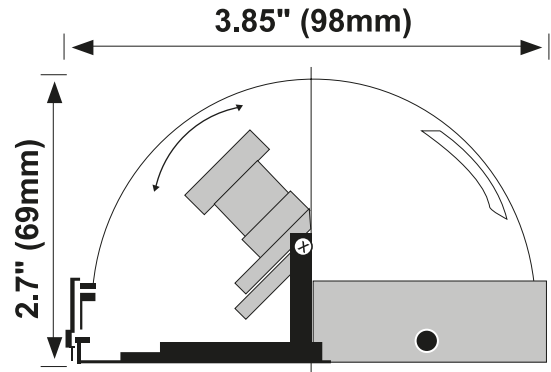
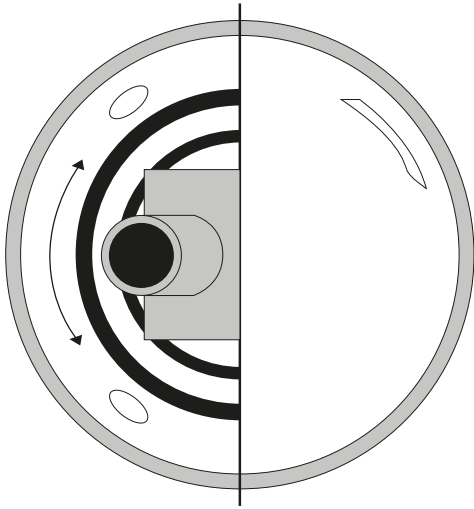
#### Storage temp.

-4°F ~ +160°F

#### NEMA rating

Type 2

### ／ DIMENSIONS (Unit: mm)



Surface mount dome camera on ceilings, walls, poles or other solid areas

| Color camera | Image sensor   | Power req. | Resolution   | Lux | Lens                         |
|--------------|----------------|------------|--------------|-----|------------------------------|
| WDD-6400C    | 1/3" color DSP | AC24V      | 420 TV lines | 0.3 | Fixed 3.6mm others available |
| WDD-6405C    | 1/3" color DSP | AC24V      | 570 TV lines | 0.3 | Fixed 3.6mm others available |
| WDD-7500C    | 1/3" color DSP | DC12V      | 420 TV lines | 0.3 | Fixed 3.6mm others available |
| WDD-7505C    | 1/3" color DSP | DC12V      | 570 TV lines | 0.3 | Fixed 3.6mm others available |