

# 1/3" Indoor Day/Night Mini-Armordome Cameras



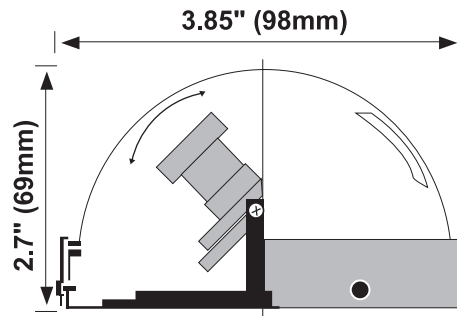
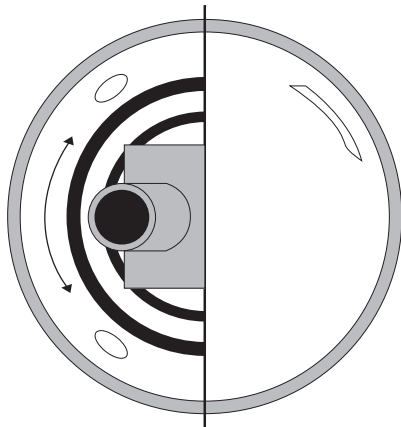
WDD-6400DN / WDD-6405DN (AC24V)  
WDD-7500DN / WDD-7505DN (DC12V)

## MAIN FEATURES

- True Day/Night Operation
- 14 Infra-Red LED Illuminators
- Mini High Impact Armordome That Allows for Unobtrusive Video Monitoring While Still Providing Ultimate Protection for The Camera
- Tamper-Proof Hardware Adds Extra Protection Against Vandalism
- Manual Pan and Tilt Adjustments Make This Camera Easy to Install On Vertical or Horizontal Surfaces
- Digital Signal Processing (DSP) Provides Unmatched Picture Quality
- Heavy-Duty All Metal Armordome Base and Swivel Bracket Makes for The Most Rugged Camera Enclosure Available On The Market
- Camera Options Include: Normal Resolution (400 TVL) and High Resolution (480 TVL), 24V AC and 12V DC Power Requirements

# WDD-6400DN, WDD-7500DN Series (1/3" Indoor Day/Night Mini-Armordome Cameras)

## DIMENSIONS



Surface mount dome camera on ceilings, walls, poles or other solid areas

## SPECIFICATIONS

MODEL	WDD-6400DN	WDD-6405DN	WDD-7500DN	WDD-7505DN
<b>Video</b>				
Imager	1/3" Color CCD		1/3" Color CCD	
Pixels	512(H) x 492(V) NTSC	768(H) x 494(V) NTSC	512(H) x 492(V) NTSC	768(H) x 494(V) NTSC
Resolution	400 TVL	480 TVL	400 TVL	480 TVL
Minimum Illumination	0 LUX (IR LEDs ON)		0 LUX (IR LEDs ON)	
S/N Ratio	48dB		48dB	
Shutter Speed	1/60~1/100,000 Sec.		1/60~1/100,000 Sec.	
Gamma	0.45		0.45	
White Balance	Auto White Balance		Auto White Balance	
Automatic Gain Control	Yes		Yes	
Video Output	1.0 Vp-p Composite, 75 ohm		1.0 Vp-p Composite, 75 ohm	
<b>Connectors</b>				
Power Input	Bare Wire Leads		Barrel Plug Connector	
Video Output	BNC Connector		BNC Connector	
<b>Electrical</b>				
Power Input	AC-24Volt		DC-12Volt	
Current Consumption	7.2 Watts		7.2 Watts	
<b>Physical</b>				
Lens Type	Fixed 3.6mm (Others Available)		Fixed 3.6mm (Others Available)	
LEDs	14 Individual Super Infra-Red LEDs		14 Individual Super Infra-Red LEDs	
LED Range	30ft		30ft	
Dimensions	3.85" (Dia) x 2.7" (H)		3.85" (Dia) x 2.7" (H)	
Operational Temp.	+4 Deg. F to 158 Deg. F		+4 Deg. F to 158 Deg. F	
Accessories (Optional)	Power Supply - Weldex WDADP-24		Power Supply - Weldex WDADP-12/1A	

MODEL	IMAGE SENSOR	POWER REQ.	RESOLUTION	LUX	LENS
<b>WDD-6400DN</b>	1/3" COLOR DSP	24 VOLT AC	400 TV LINES	0.3	Fixed 3.6mm Others Available
<b>WDD-6405DN</b>	1/3" COLOR DSP	24 VOLT AC	480 TV LINES	0.3	Fixed 3.6mm Others Available
<b>WDD-7500DN</b>	1/3" COLOR DSP	12 VOLT DC	400 TV LINES	0.3	Fixed 3.6mm Others Available
<b>WDD-7505DN</b>	1/3" COLOR DSP	12 VOLT DC	480 TV LINES	0.3	Fixed 3.6mm Others Available