



WPTV248300UL

Overview

WPTV248300UL outdoor CCTV Power Supply provides power via eight (8) fuse protected power-limited outputs for CCTV Cameras, heaters, and other video accessories.

Specifications

Input:

- 115VAC, 50/60Hz, 2.7 amp.

Output:

- Eight (8) fuse protected outputs.
- 24VAC @ 12.5 amp (300VA) supply current.
- or 28VAC @ 10 amp (280VA) supply current.
- Outputs are rated @ 3.5 amp.
- Surge suppression.

Electrical:

- Operating temperature: 0° C to 49° C ambient.
- BTU/Hr.: 153.55 BTU/Hr.
- System AC input VA requirement: 310.5VA.

Features:

- Secondary fuse rated @ 5 amp/250V.
- Unit maintains camera synchronization.
- AC power LED.
- Power ON/OFF switch.
- Spare fuses provided.
- (all models w/primary and/or secondary fuses).
- NEMA 4 Rated enclosure for outdoor use.

Mechanical:

- Enclosure Dimensions (H x W x D approx.): 12" x 8" x 6" (304.8mm x 203.2mm x 152.4mm).
- Product weight (approx.): 14.4 lbs (6.53 kg).
- Shipping weight (approx.): 16.4 lbs (7.44 kg).

Agency Approvals



UL Listed for Commercial CCTV Equipment (UL 2044).



European Conformity



CUL Listed - CSA Standard C22.2 No.1-98, Audio, Video and Similar Equipment.

PMK1 Pole Mount Kit (order separately)



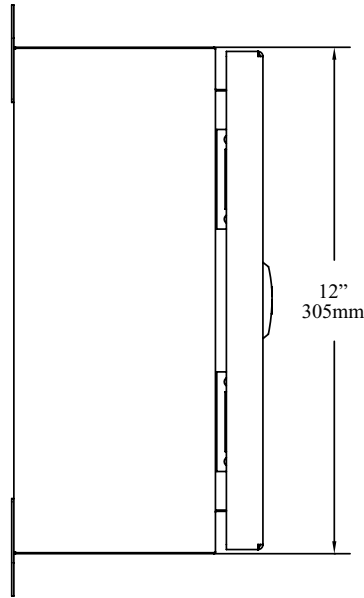
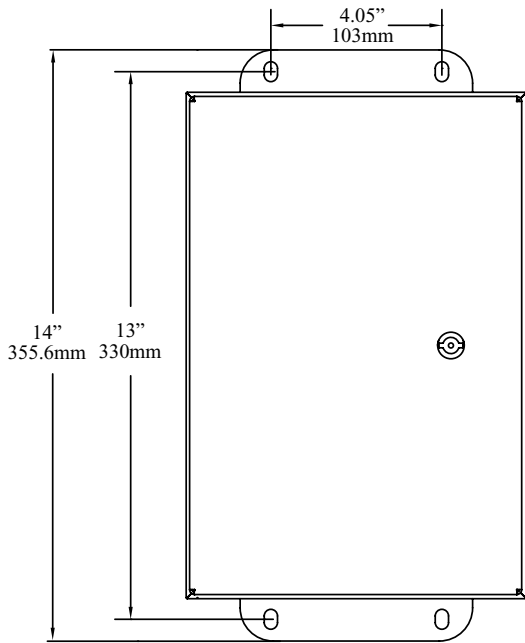
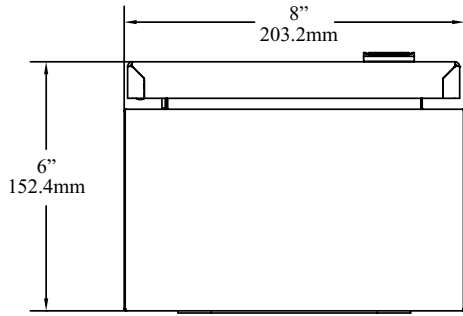
PMK1

PMK1 pole mount kit is designed to simplify installation of outdoor units.

- Accommodates 2"- 8"(diameter) poles.
- Kit includes:
 - Two (2) powder coated steel mount brackets.
 - Four (4) stainless steel bolts.
 - Four (4) stainless steel lock washers.
 - Two (2) wormgear quick release straps.

Enclosure Dimensions (H x W x D approximate):

12" x 8" x 6" (304.8mm x 203.2mm x 152.4mm)



MOUNTING PANEL
GALVANIZED

