

Part No.: KPC-S20



KPC-S20B



KPC-S20P1



KPC-S20P3



KPC-S20P4

Super Mini Square B/W Camera

- Sony 1/3" Super HAD B/W CCD
- 420TVL Horizontal Resolution
- Noise, Ghost & Blooming Free
- Automatic Gain Control (AGC)
- Automatic Backlight Compensation (BLC)
- Built-in Reverse Power Input Safety Circuit
- Super Compact size of 0.87"(W) X 0.91"(H)

Technical Specification

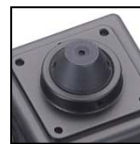
Image Device	SONY 1/3" SUPER HAD B/W CCD
Scanning System	2 : 1 Interlace
Scanning Frequency	H : 15.734 (KHz), V : 60 (Hz)
Total Pixels	537(H) x 505(V)
Effective Pixels	510(H) x 492(V)
Horizontal Resolution	420 TV Lines
Electronic Shutter	1/60 ~ 1/100,000sec auto
S/N Ratio	More than 50dB (AGC Off)
White Balance	Automatic (Only Color CCD)
Sensitivity	0.05 Lux / F 2.0
Gamma Correction	$\lambda = 0.45$
Sync System	Internal
Video Output	Composite 1 [Vp-p] 75(Ω) unbalanced
Power Supply	DC12V ($\pm 10\%$) Max 120mA
Operating Temperature	-10°C ~ +50°C
Storage Temperature	-20°C ~ +60°C
Operating Humidity	10% ~ 80%



Lens Types



Board Lens



P1 Lens



P3 Lens



P4 Lens

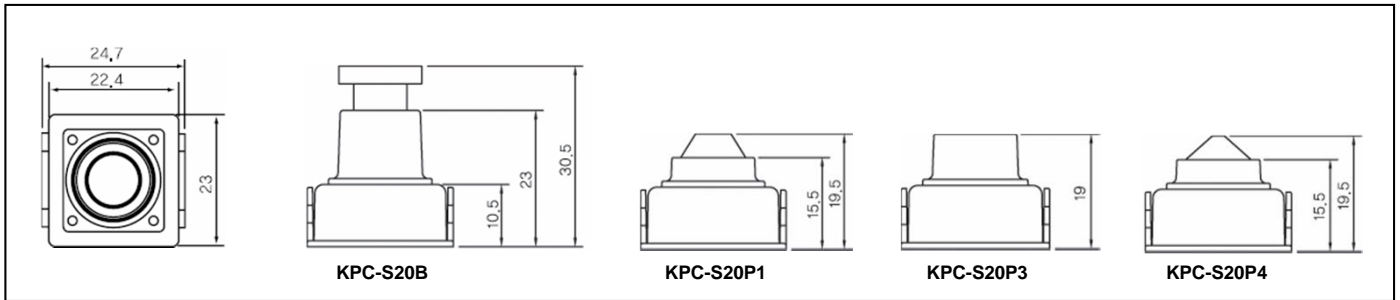
Lens Option

Lens (mm)	Type	Board Lens (B)							Pinhole Lens		
									(P1)	(P3)	(P4)
	Focal Length	2.45	2.97	3.6	6	8	12	16	3.7	3.7	4.3
	Aperture	F2.0	F2.0	F2.0	F2.0	F2.0	F2.0	F2.2	F2.0	F2.0	F2.0
	Angle of View	150°	130°	92°	53°	40°	28°	19°	90°	90°	78°

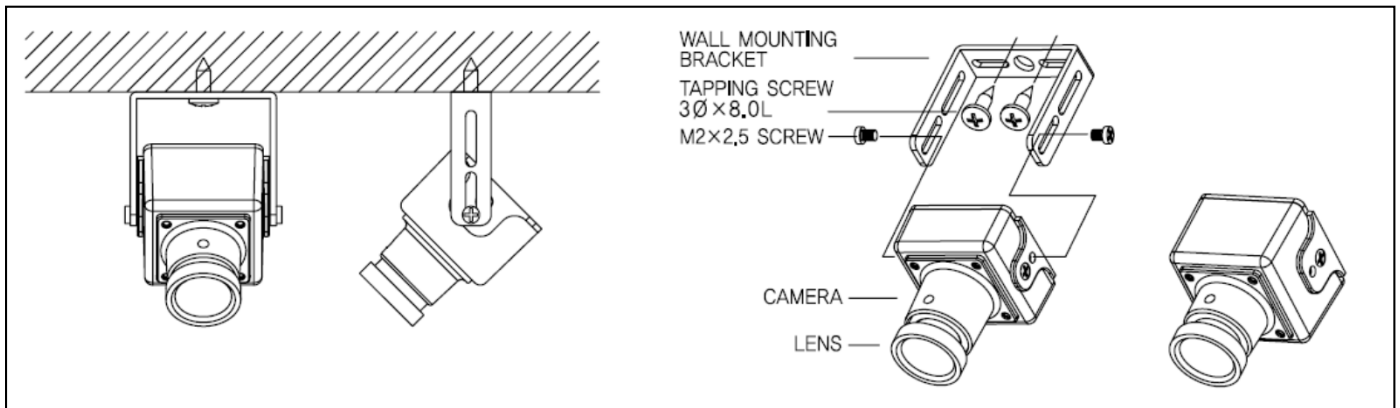
* Specifications & Features are subject to change without prior notice.

Part No.: KPC-S20

Dimensions (Unit: mm)



Mounting Position



* Specifications & Features are subject to change without prior notice.

KT&C America, Inc.: (East)
40 Lane Road 1st Floor Fairfield, NJ 07004
T: 973-276-0118 F: 973-276-0116 E: sales-america@ktncamerica.com

KT&C USA, Inc.: (West)
3240 Wilshire Blvd. #501 Los Angeles, CA 90010
T: 213-381-0061 / F: 213-381-0061 E: sales-usa@ktncusa.com

Part No.: KPC-S500



KPC-S500B



KPC-S500P1



KPC-S500P3



KPC-S500P4

Super Mini Square B/W CCD Camera

- Sony 1/3" Super HAD B/W CCD
- 420TVL Horizontal Resolution
- Noise, Ghost & Blooming Free
- Automatic Gain Control (AGC)
- Automatic Backlight Compensation (BLC)
- Built-in Reverse Power Input Safety Circuit
- Super Compact size of 0.98"(W) X 0.98"(H)

Technical Specification

Image Device	SONY 1/3" SUPER HAD B/W CCD
Scanning System	2 : 1 Interlace
Scanning Frequency	H : 15.734 (KHz), V : 60 (Hz)
Total Pixels	537(H) x 505(V)
Effective Pixels	510(H) x 492(V)
Horizontal Resolution	420 TV Lines
Electronic Shutter	1/60 ~ 1/100,000sec auto
S/N Ratio	More than 50dB (AGC Off)
White Balance	Automatic (Only Color CCD)
Sensitivity	0.05 Lux / F 2.0
Gamma Correction	$\lambda = 0.45$
Sync System	Internal
Video Output	Composite 1 [Vp-p] 75(Ω) unbalanced
Power Supply	DC12V ($\pm 10\%$) Max 120mA
Operating Temperature	-10°C ~ +50°C
Storage Temperature	-20°C ~ +60°C
Operating Humidity	10% ~ 80%



Lens Types



Board Lens



P1 Lens



P3 Lens



P4 Lens

Lens Option

Lens (mm)	Type	Board Lens (B)							Pinhole Lens		
		(P1)	(P3)	(P4)	(B1)	(B2)	(B3)	(B4)	(B5)	(B6)	(B7)
Focal Length		2.45	2.97	3.6	6	8	12	16	3.7	3.7	4.3
Aperture		F2.0	F2.0	F2.0	F2.0	F2.0	F2.0	F2.2	F2.0	F2.0	F2.0
Angle of View		150°	130°	92°	53°	40°	28°	19°	90°	90°	78°

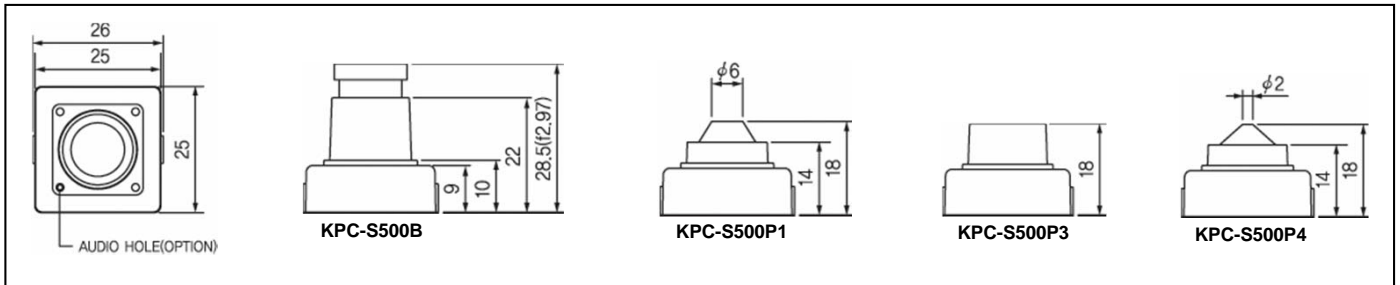
* Specifications & Features are subject to change without prior notice.

KT&C America, Inc.: (East)
40 Lane Road 1st Floor Fairfield, NJ 07004
T: 973-276-0118 F: 973-276-0116 E: sales-america@ktnccamera.com

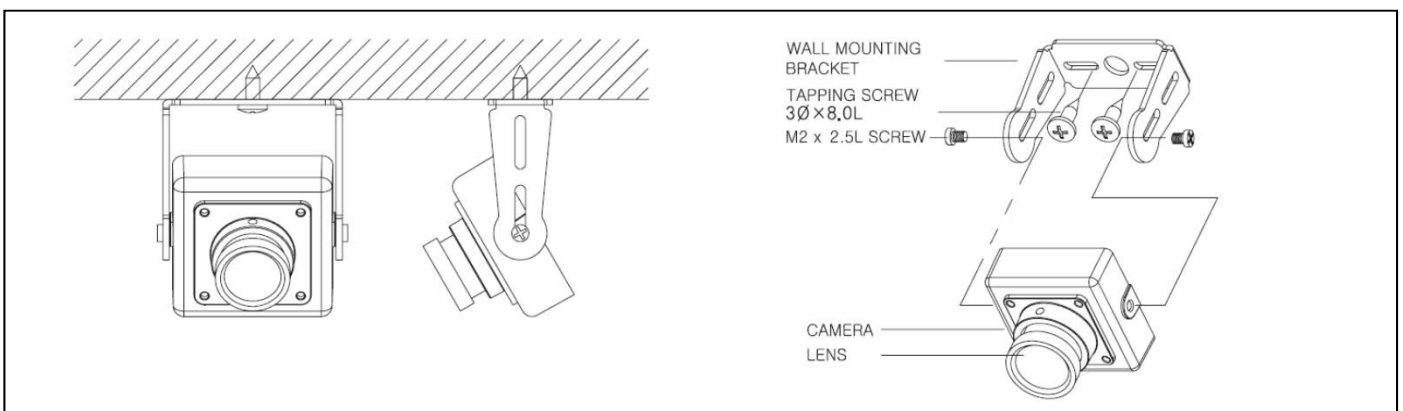
KT&C USA, Inc.: (West)
3240 Wilshire Blvd. #501 Los Angeles, CA 90010
T: 213-381-0061 / F: 213-381-0061 E: sales-usa@ktnccusa.com

Part No.: KPC-S500

Dimensions (Unit: mm)



Mounting Position



* Specifications & Features are subject to change without prior notice.

KT&C America, Inc.: (East)
40 Lane Road 1st Floor Fairfield, NJ 07004
T: 973-276-0118 F: 973-276-0116 E: sales-america@ktnccamera.com

KT&C USA, Inc.: (West)
3240 Wilshire Blvd. #501 Los Angeles, CA 90010
T: 213-381-0061 / F: 213-381-0061 E: sales-usa@ktnccusa.com

Part No.: KPC-S400



KPC-S400B



KPC-S400P1



KPC-S400P3



KPC-S400P4



KPC-S400V

Super Mini Square B/W CCD Camera

- Sony 1/3" Super HAD B/W CCD
- 420TVL Horizontal Resolution
- Noise, Ghost & Blooming Free
- Automatic Gain Control (AGC)
- Automatic Backlight Compensation (BLC)
- Built-in Reverse Power Input Safety Circuit
- Super Compact size of 1.18"(W) X 1.18"(H)

Technical Specification

Image Device	SONY 1/3" SUPER HAD B/W CCD
Scanning System	2 : 1 Interlace
Scanning Frequency	H : 15.734 (KHz), V : 60 (Hz)
Total Pixels	537(H) x 505(V)
Effective Pixels	510(H) x 492(V)
Horizontal Resolution	420 TV Lines
Electronic Shutter	1/60 ~ 1/100,000sec auto
S/N Ratio	More than 50dB (AGC Off)
White Balance	Automatic (Only Color CCD)
Sensitivity	0.05 Lux / F 2.0
Gamma Correction	$\lambda = 0.45$
Sync System	Internal
Video Output	Composite 1 [Vp-p] 75(Ω) unbalanced
Power Supply	DC12V ($\pm 10\%$) Max 120mA
Operating Temperature	-10°C ~ +50°C
Storage Temperature	-20°C ~ +60°C
Operating Humidity	10% ~ 80%



Lens Types



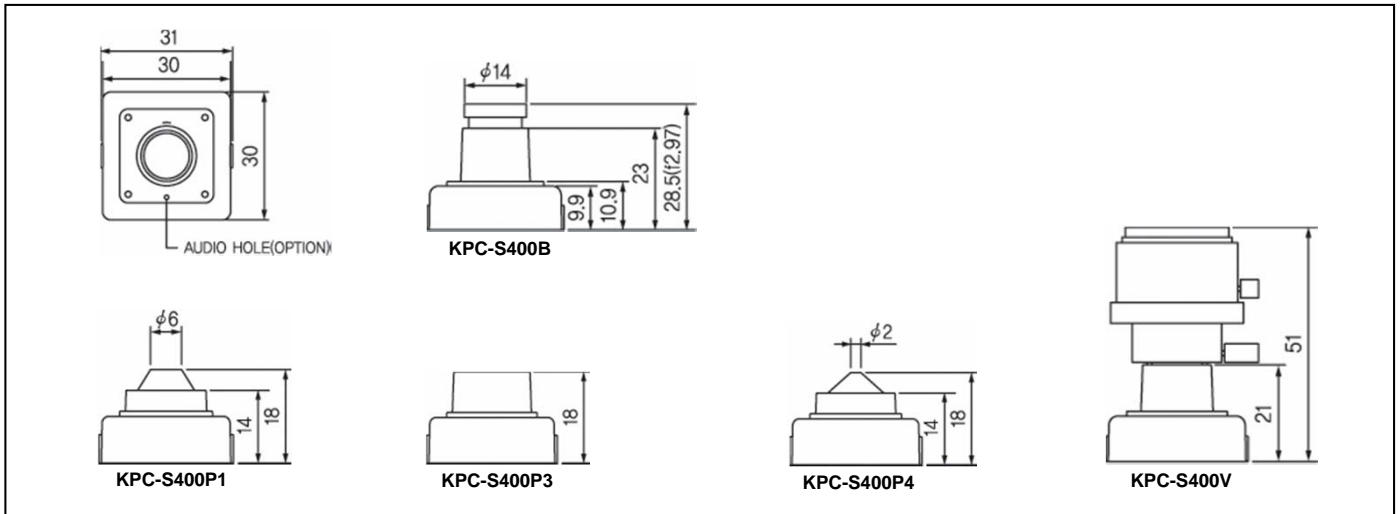
Board Lens P1 Lens P3 Lens P4 Lens

Lens Option

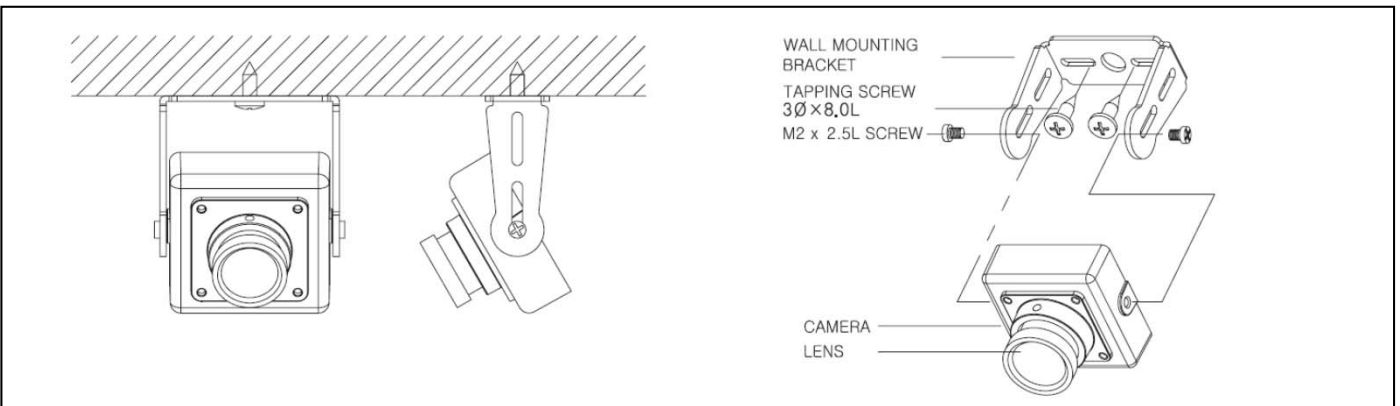
Lens (mm)	Type	Board Lens (B)							Pinhole Lens		
		(P1)	(P3)	(P4)	(P1)	(P3)	(P4)	(P1)	(P3)	(P4)	
Focal Length		2.45	2.97	3.6	6	8	12	16	3.7	3.7	4.3
Aperture		F2.0	F2.0	F2.0	F2.0	F2.0	F2.0	F2.2	F2.0	F2.0	F2.0
Angle of View		150°	130°	92°	53°	40°	28°	19°	90°	90°	78°

* Specifications & Features are subject to change without prior notice.

Dimensions (Unit: mm)



Mounting Position



* Specifications & Features are subject to change without prior notice.